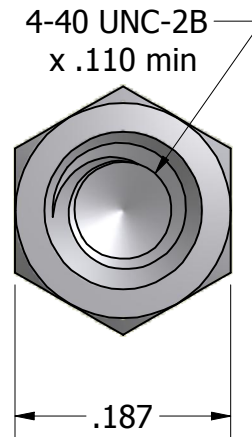
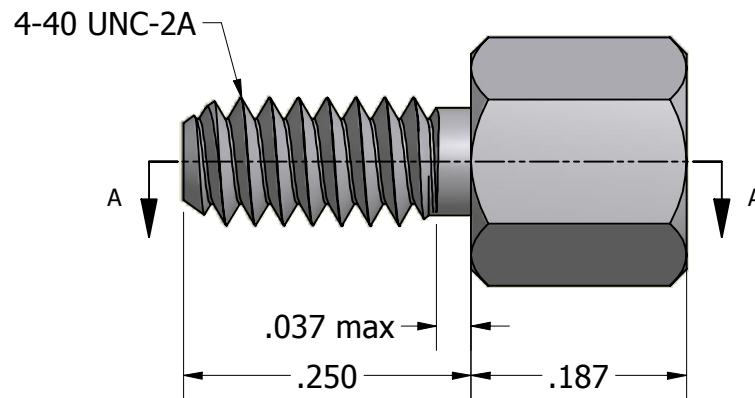


ISO SCALE 3 : 1



Tolerances Unless Otherwise Specified:

.xx Decimal: ± .02
.xxx Decimal: ± .005
Fraction: ± 1/64
Angle: ± 2°

LYN-TRON, INC.

Part Number:

SS9411

Description:

3/16 Hex Male-Female Standoff

Drawn By:

KenanG 4/19/2011

Gauge:

STD

Material:

Stainless Steel 303

Scale:

6:1