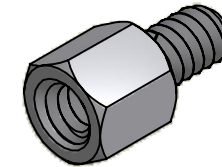
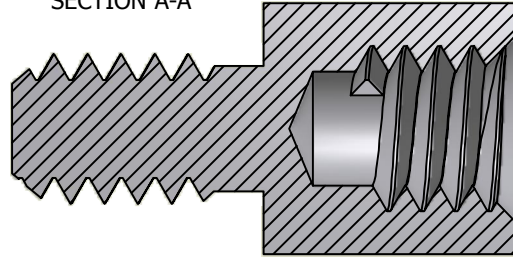
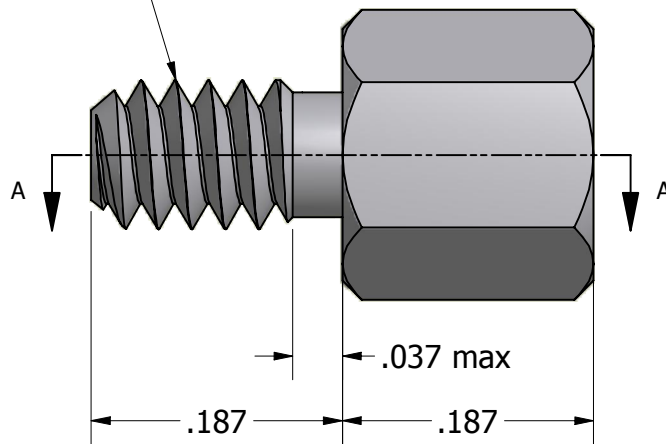


SECTION A-A

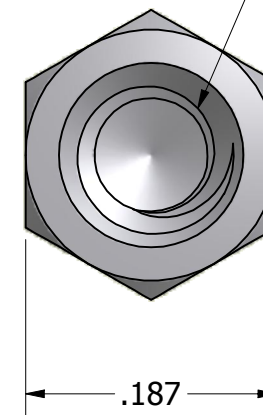


ISO SCALE 3 : 1

4-40 UNC-2A



4-40 UNC-2B
x .110 min



Tolerances Unless Otherwise Specified:

.xx Decimal: ± .02
.xxx Decimal: ± .005
Fraction: ± 1/64
Angle: ± 2°

LYN-TRON, INC.

Part Number:

SS9410

Description:

3/16 Hex Jack Screw

Drawn By:

kenang 1/12/2011

Gauge:

STD

Material:

Stainless Steel

Scale:

7:1