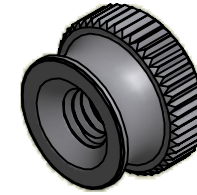
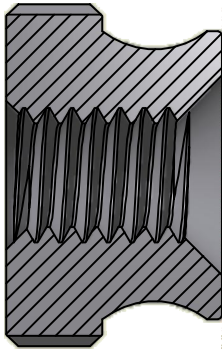
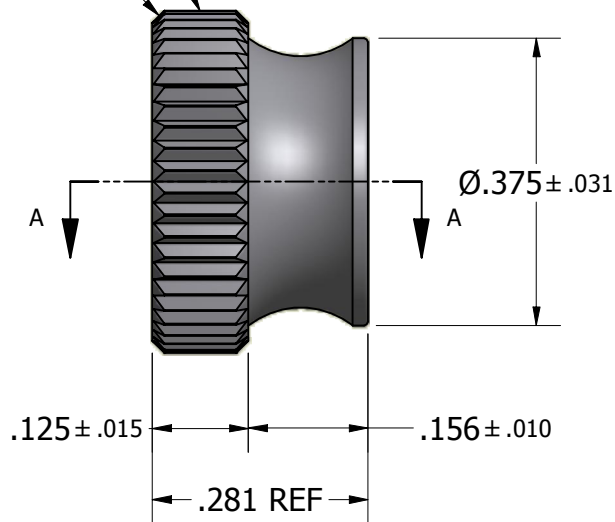


SECTION A-A

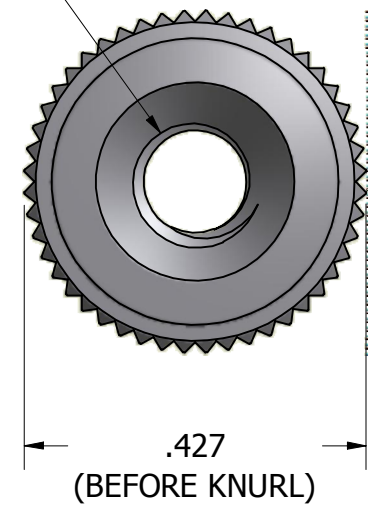


ISO SCALE 2 : 1

STRAIGHT KNURL
35 TPI
1/64 X 45° TYP



8-32 UNC-2B THRU



Tolerances Unless Otherwise Specified:

.xx Decimal: $\pm .02$
.xxx Decimal: $\pm .005$
Fraction: $\pm 1/64$
Angle: $\pm 2^\circ$

LYN-TRON, INC.

Part Number:

SS7713

Description:

7/16 Round Thumb Nut

Drawn By:

Rick Z

8/20/2012

Gauge:

STD

Material:

Stainless Steel 303

Scale:

4:1