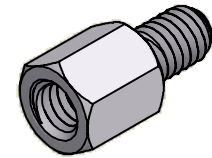
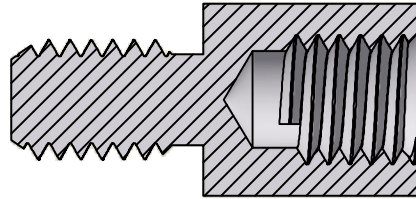
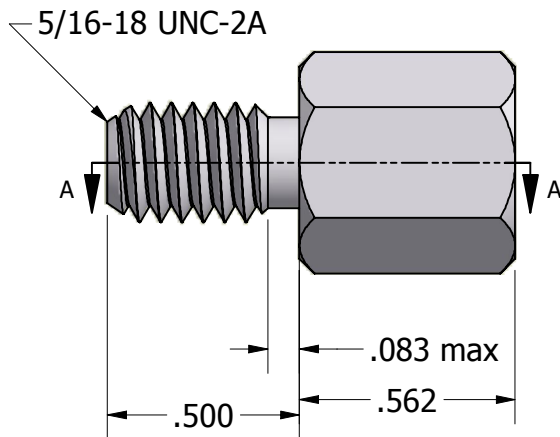


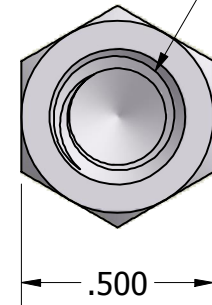
SECTION A-A



ISO SCALE 1 : 1



5/16-18 UNC-2B
x 0.338 min.



Tolerances Unless Otherwise Specified:			
.xx Decimal: ± .02 .xxx Decimal: ± .005 Fraction: ± 1/64 Angle: ± 2°			
Part Number:		SS6989-0.562	
Description:		1/2 Hex Male-Female Standoff	
Drawn By:	Gauge:	Material:	Scale:
KENANG 07/05/2011		Stainless Steel	2 : 1