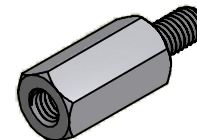
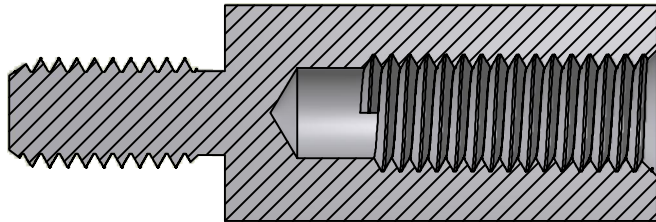
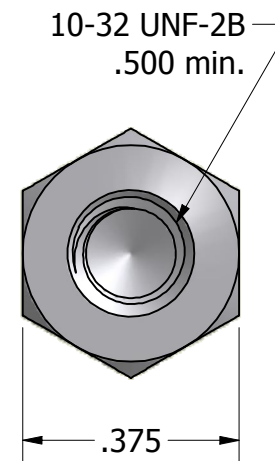
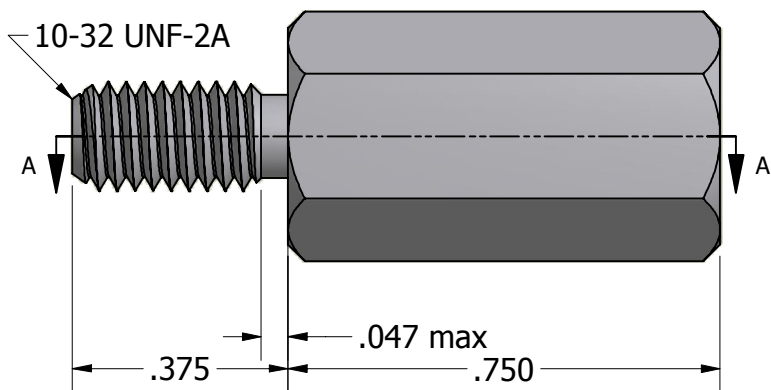


SECTION A-A



ISO SCALE 1 : 1



Tolerances Unless Otherwise Specified:

**.xx Decimal:** ± .02  
**.xxx Decimal:** ± .005  
**Fraction:** ± 1/64  
**Angle:** ± 2°

**LYN-TRON, INC.**

Part Number:  
**SS6986-0.750**

Description:  
**3/8 Hex Male-Female Standoff**

Drawn By:  
**RICKZ 09/23/2011**

Gauge:

Material:  
**Stainless Steel**

Scale:  
**3 : 1**