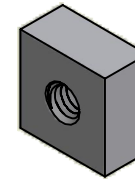
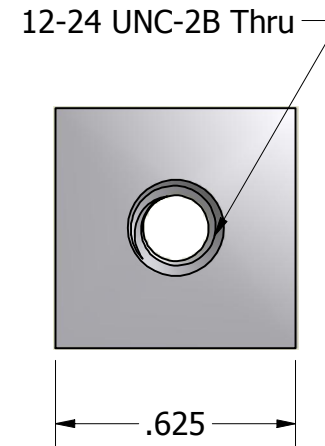
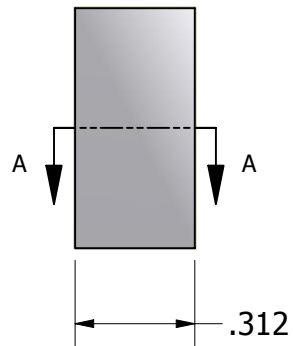


SECTION A-A



ISO SCALE 1 : 1



Tolerances Unless Otherwise Specified:

.xx Decimal: $\pm .02$
.xxx Decimal: $\pm .005$
Fraction: $\pm 1/64$
Angle: $\pm 2^\circ$

LYN-TRON, INC.

Part Number:

SS6966-1224-0.312

Description:

5/8 Square Standoff

Drawn By:

COURTNEYS09/14/2011

Gauge:

Material:

Stainless Steel

Scale:

2 : 1