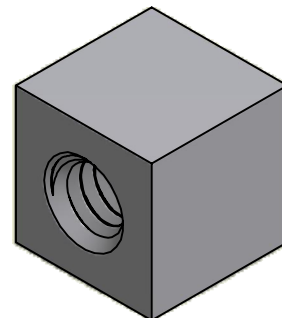
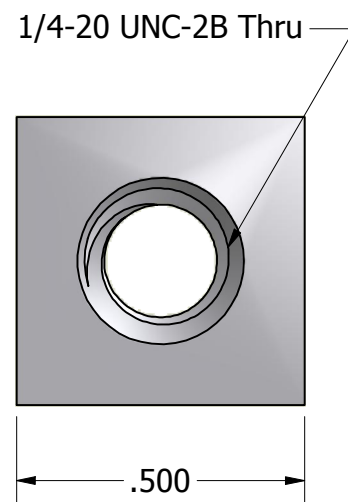
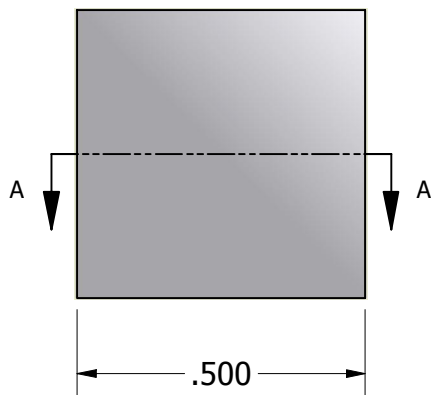


SECTION A-A



ISO SCALE 2 : 1



Tolerances Unless Otherwise Specified:

.xx Decimal: ± .02
.xxx Decimal: ± .005
Fraction: ± 1/64
Angle: ± 2°

LYN-TRON, INC.

Part Number:
SS6965-2520-0.500

Description:
1/2 Square Standoff

Drawn By:
COURTNEYS09/14/2011

Gauge:
Stainless Steel

Material:
Stainless Steel

Scale:
3 : 1