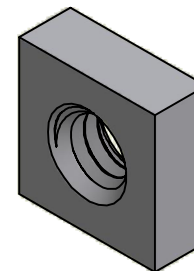
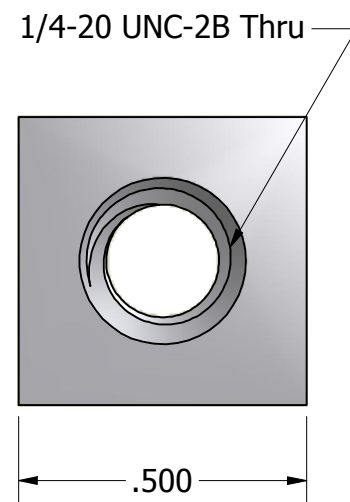
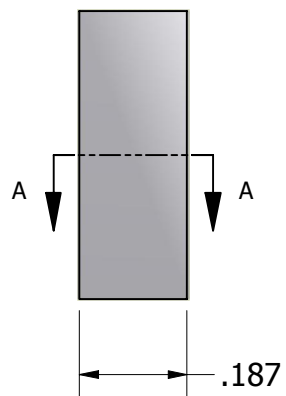


SECTION A-A



ISO SCALE 2 : 1



Tolerances Unless Otherwise Specified:

.xx Decimal: $\pm .02$
.xxx Decimal: $\pm .005$
Fraction: $\pm 1/64$
Angle: $\pm 2^\circ$

LYN-TRON, INC.

Part Number:
SS6965-2520-0.187

Description:
1/2 Square Standoff

Drawn By:
COURTNEYS09/14/2011

Gauge:
Stainless Steel

Scale:
3 : 1