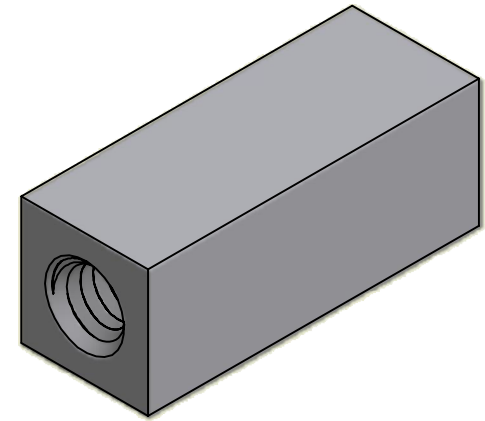
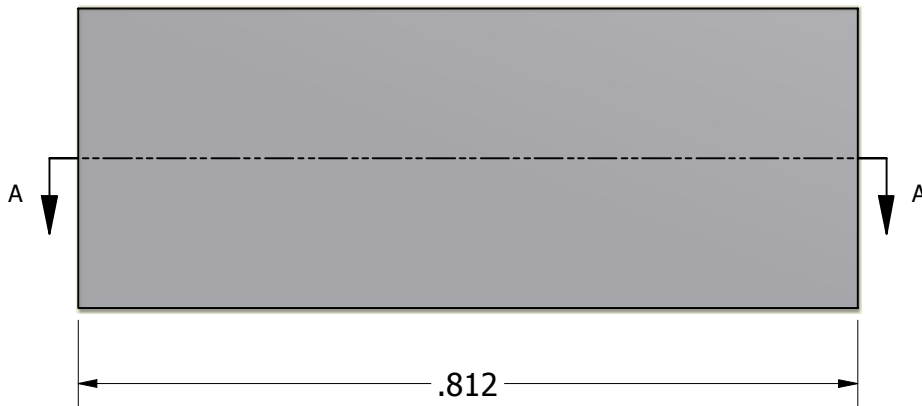


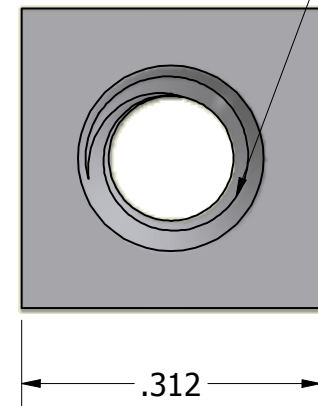
SECTION A-A



ISO SCALE 3 : 1



8-32 UNC-2B Thru



Tolerances Unless Otherwise Specified:

**.xx Decimal:** ± .02  
**.xxx Decimal:** ± .005  
**Fraction:** ± 1/64  
**Angle:** ± 2°

**LYN-TRON, INC.**

Part Number:  
**SS6962-0832-0.812**

Description:  
**5/16 Square Standoff**

Drawn By:  
**JEFFN 07/09/2010**

Gauge:

Material:  
**Stainless Steel**

Scale:  
**5 : 1**