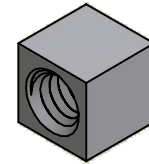
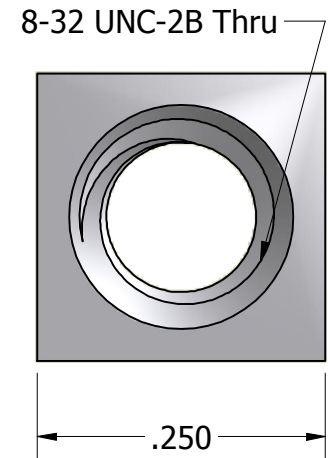
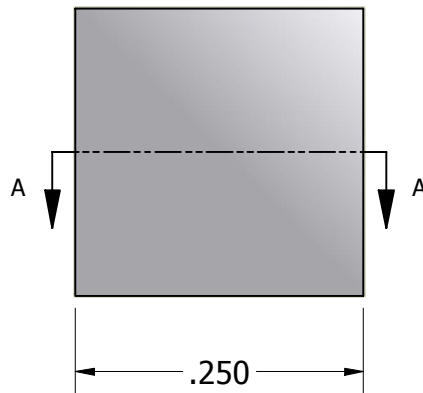


SECTION A-A



ISO SCALE 2 : 1



Tolerances Unless Otherwise Specified:			
.xx Decimal:	± .02		
.xxx Decimal:	± .005	Part Number:	
Fraction:	± 1/64	SS6961-0832-0.250	
Angle:	± 2°	Description:	
		1/4 Square Standoff	
Drawn By:	Gauge:	Material:	Scale:
RICKZ	09/08/2011	Stainless Steel	6 : 1