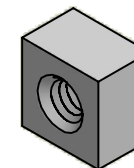
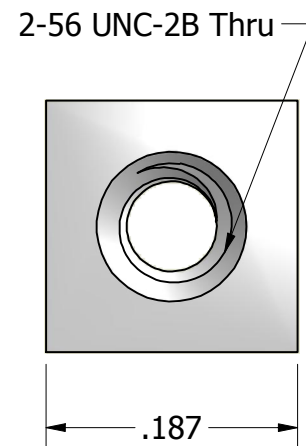
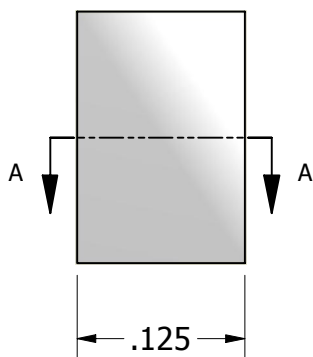


SECTION A-A



ISO SCALE 3 : 1



Tolerances Unless Otherwise Specified:

.xx Decimal: $\pm .02$
.xxx Decimal: $\pm .005$
Fraction: $\pm 1/64$
Angle: $\pm 2^\circ$

LYN-TRON, INC.

Part Number:
SS6960-0256-0.125

Description:
3/16 Square Standoff

Drawn By:
JEFFN 07/10/2010

Gauge:
Stainless Steel

Material:
Stainless Steel

Scale:
7 : 1