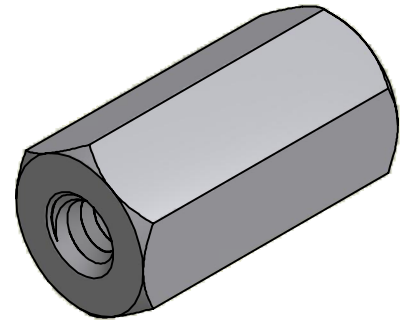
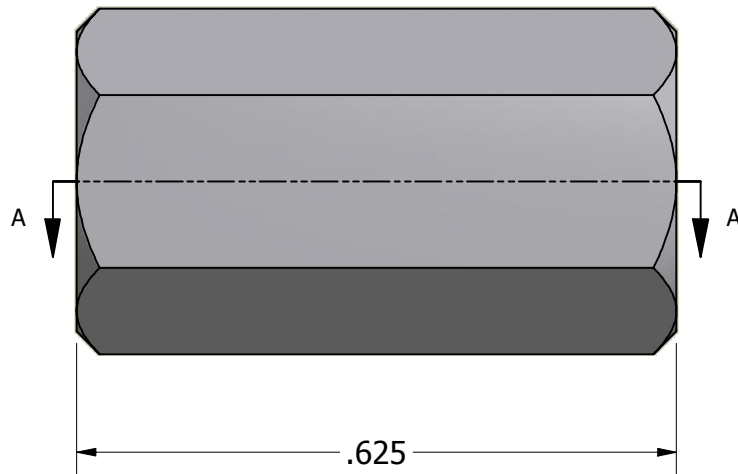


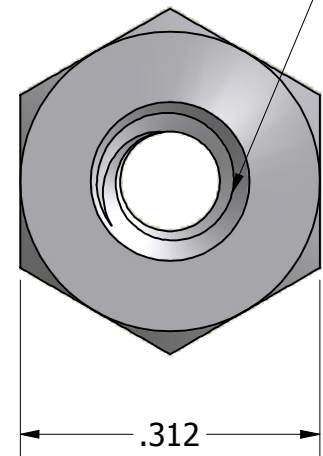
SECTION A-A



ISO SCALE 3 : 1



6-32 UNC-2B Thru



Tolerances Unless Otherwise Specified:

**.xx Decimal:** ± .02  
**.xxx Decimal:** ± .005  
**Fraction:** ± 1/64  
**Angle:** ± 2°

**LYN-TRON, INC.**

Part Number:

**SS6952-0632-0.625**

Description:

**5/16 Hex Standoff**

Drawn By:

**JEFFN**

**07/09/2010**

Gauge:

Material:

**Stainless Steel**

Scale:

**5 : 1**