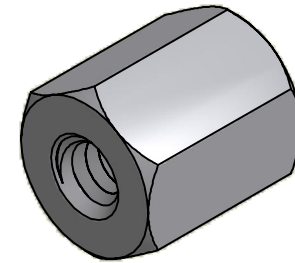
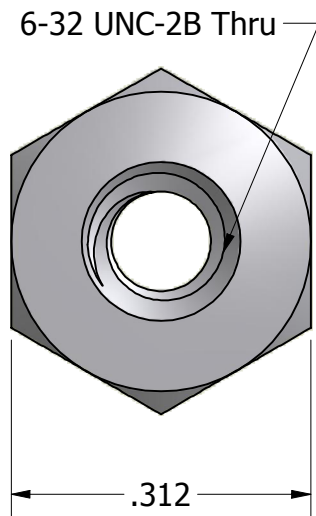
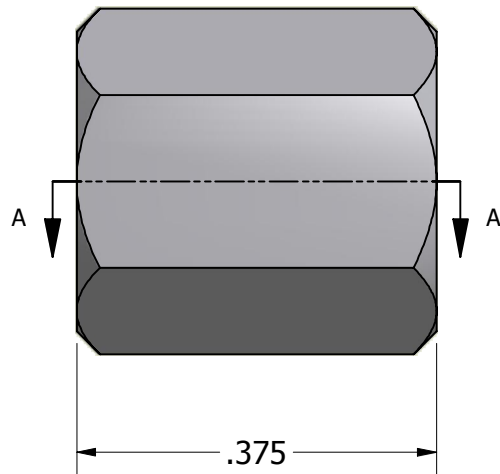


SECTION A-A



ISO SCALE 3 : 1



Tolerances Unless Otherwise Specified:			
.xx Decimal:	± .02		
.xxx Decimal:	± .005	Part Number:	
Fraction:	± 1/64	<b>SS6952-0632-0.375</b>	
Angle:	± 2°	Description:	
		<b>5/16 Hex Standoff</b>	
Drawn By:	Gauge:	Material:	Scale:
<b>JEFFN</b>	<b>07/09/2010</b>	<b>Stainless Steel</b>	<b>5 : 1</b>