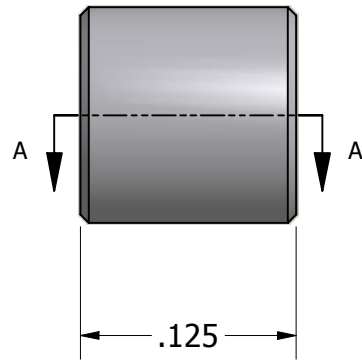


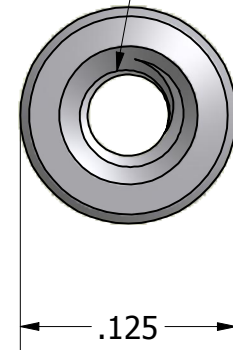
SECTION A-A



ISO SCALE 3 : 1



0-80 UNF-2B Thru



Tolerances Unless Otherwise Specified:

.xx Decimal: ± .02
.xxx Decimal: ± .005
Fraction: ± 1/64
Angle: ± 2°

LYN-TRON, INC.

Part Number:
SS6948-0080-0.125

Description:
1/8 Round Standoff

Drawn By:
COURTNEYS08/19/2011

Gauge:
Stainless Steel

Scale:
9 : 1