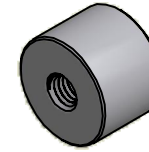
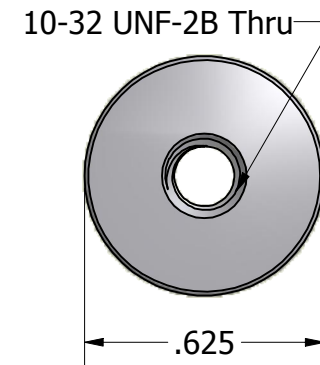
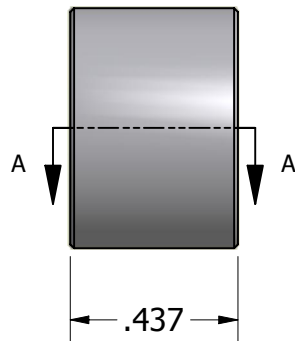


SECTION A-A



ISO SCALE 1 : 1



Tolerances Unless Otherwise Specified:			
.xx Decimal: ± .02 .xxx Decimal: ± .005 Fraction: ± 1/64 Angle: ± 2°			
Part Number:		SS6946-1032-0.437	
Description:		5/8 Round Standoff	
Drawn By:	Gauge:	Material:	Scale:
JEFFN 07/09/2010		Stainless Steel	2 : 1