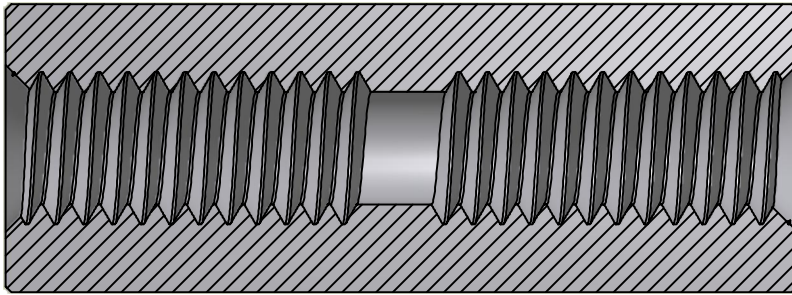
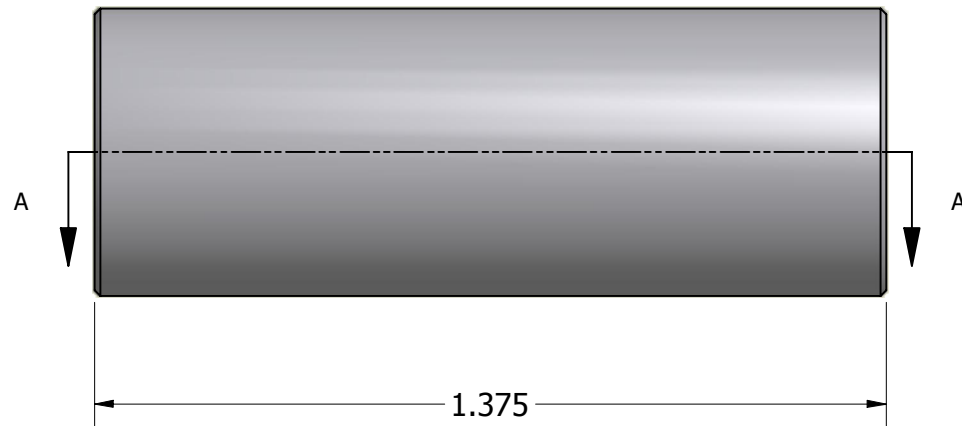


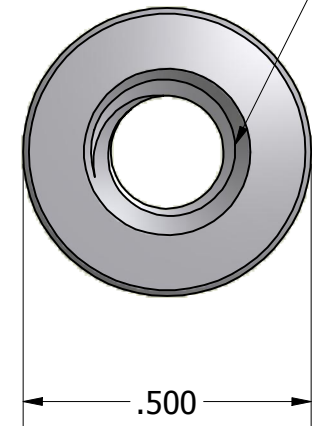
SECTION A-A



ISO SCALE 1 : 1



1/4-20 UNC-2B  
.625 min (2 Pls)



Tolerances Unless Otherwise Specified:

**.xx Decimal:** ± .02  
**.xxx Decimal:** ± .005  
**Fraction:** ± 1/64  
**Angle:** ± 2°

**LYN-TRON, INC.**

Part Number:  
**SS6945-2520-1.375**

Description:  
**1/2 Round Standoff**

Drawn By:  
**JEFFN 07/09/2010**

Gauge:

Material:  
**Stainless Steel**

Scale:  
**3 : 1**