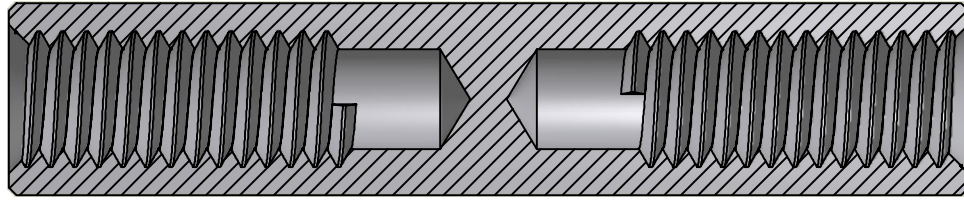
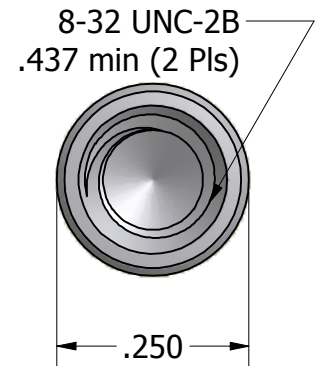
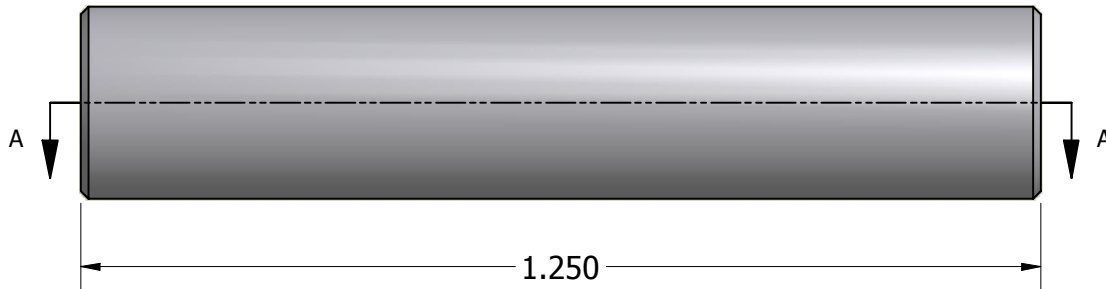


SECTION A-A



ISO SCALE 1 : 1



Tolerances Unless Otherwise Specified:			
.xx Decimal: $\pm .02$			
.xxx Decimal: $\pm .005$			
Fraction: $\pm 1/64$			
Angle: $\pm 2^\circ$			
		<b>LYN-TRON, INC.</b>	
		Part Number:	
		<b>SS6941-0832-1.250</b>	
Description:		<b>1/4 Round Standoff</b>	
Drawn By:	Gauge:	Material:	Scale:
<b>COURTNEYS08/22/2011</b>		<b>Stainless Steel</b>	<b>4 : 1</b>