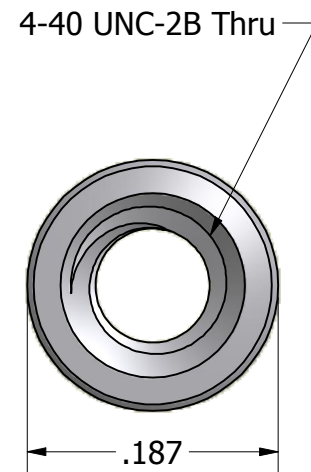
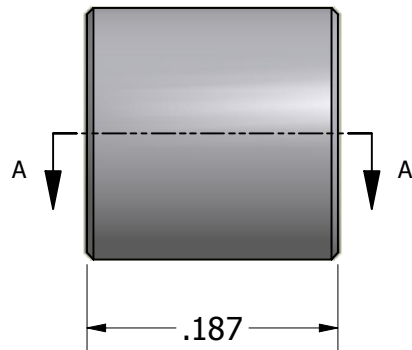


SECTION A-A



ISO SCALE 3 : 1



Tolerances Unless Otherwise Specified:

.xx Decimal: $\pm .02$
.xxx Decimal: $\pm .005$
Fraction: $\pm 1/64$
Angle: $\pm 2^\circ$

LYN-TRON, INC.

Part Number:

SS6940-0440-0.187

Description:

3/16 Round Standoff

Drawn By:

COURTNEYS08/19/2011

Gauge:

Material:

Stainless Steel

Scale:

7 : 1