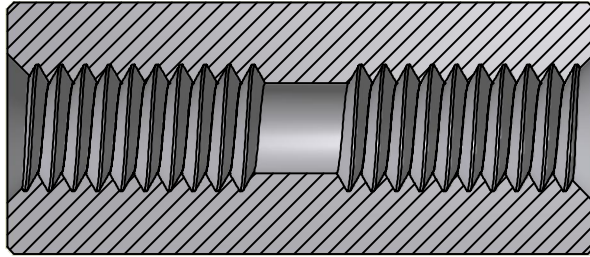
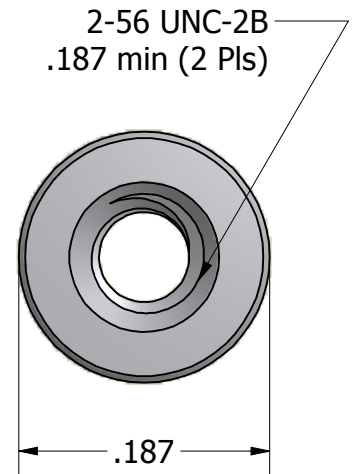
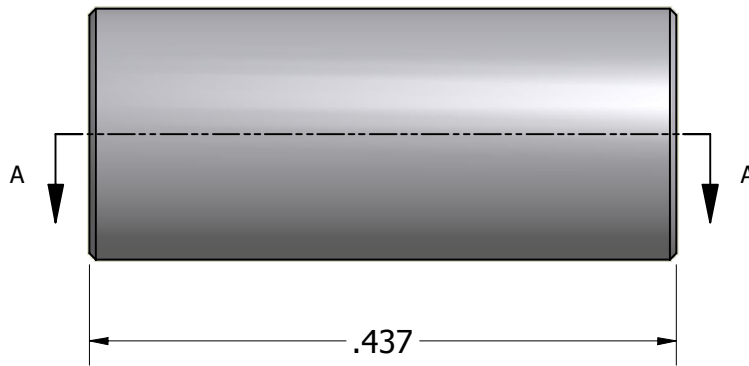


SECTION A-A



ISO SCALE 3 : 1



Tolerances Unless Otherwise Specified:

.xx Decimal: ± .02
.xxx Decimal: ± .005
Fraction: ± 1/64
Angle: ± 2°

LYN-TRON, INC.

Part Number:

SS6940-0256-0.437

Description:

3/16 Round Standoff

Drawn By:

COURTNEYS08/19/2011

Gauge:

Material:

Stainless Steel

Scale:

7 : 1