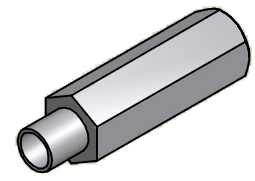
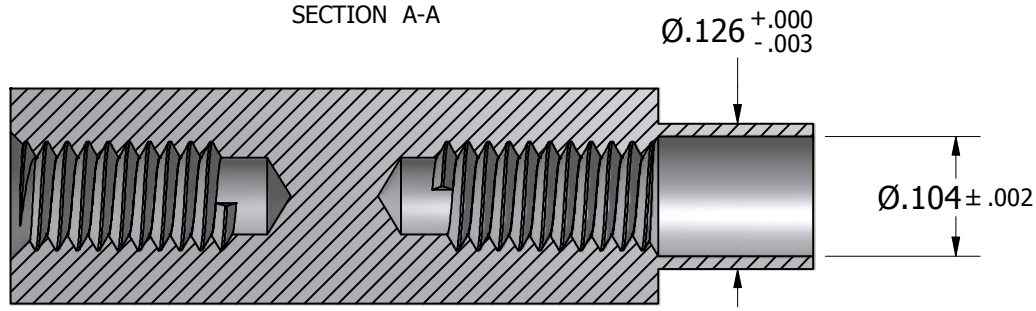
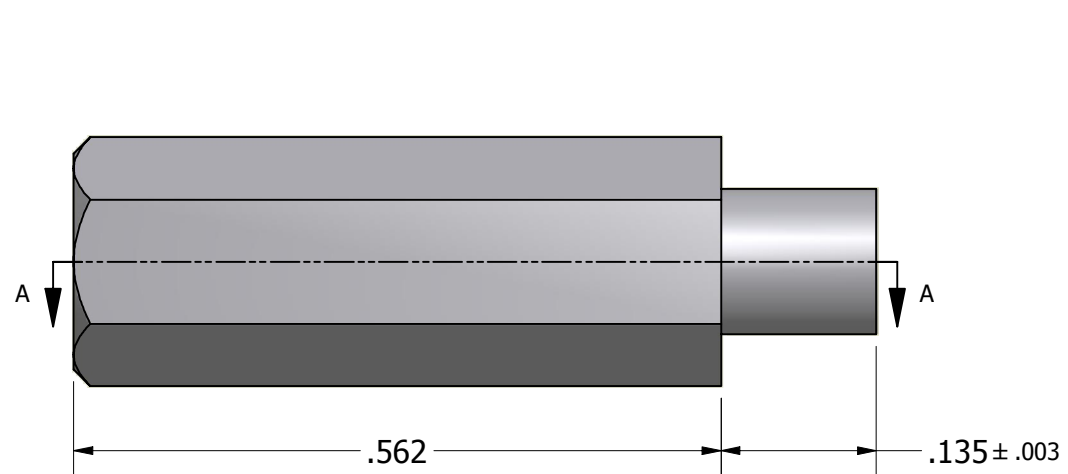


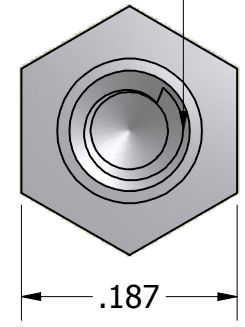
SECTION A-A



ISO SCALE 2 : 1



2-56 UNC-2B
.187 min (2 Pls)



Tolerances Unless Otherwise Specified:		LYN-TRON, INC.	
.xx Decimal:	$\pm .02$		
.xxx Decimal:	$\pm .005$	Part Number:	
Fraction:	$\pm 1/64$	SS6933C-0.562	
Angle:	$\pm 2^\circ$	Description:	
		3/16 Hex Swage Standoff	
Drawn By:	Gauge:	Material:	Scale:
JEFFN	06/24/2010	Stainless Steel	6 : 1