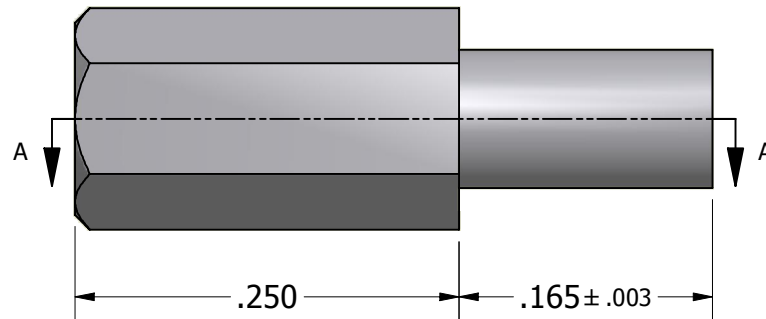
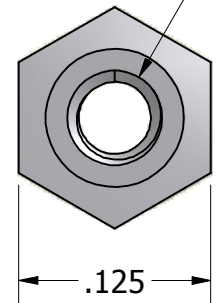


ISO SCALE 3 : 1



0-80 UNF-2B Thru



Tolerances Unless Otherwise Specified:

.xx Decimal: $\pm .02$
 .xxx Decimal: $\pm .005$
 Fraction: $\pm 1/64$
 Angle: $\pm 2^\circ$

LYN-TRON, INC.

Part Number:

SS6931D-0.250

Description:

1/8 Hex Swage Standoff

Drawn By:

RICKZ 10/13/2011

Gauge:

Material:

Stainless Steel

Scale:

8 : 1