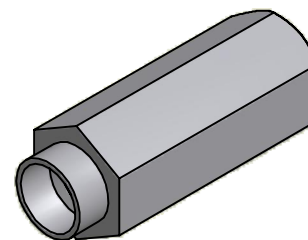
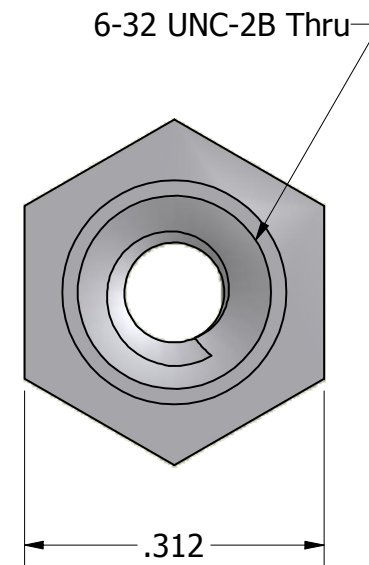
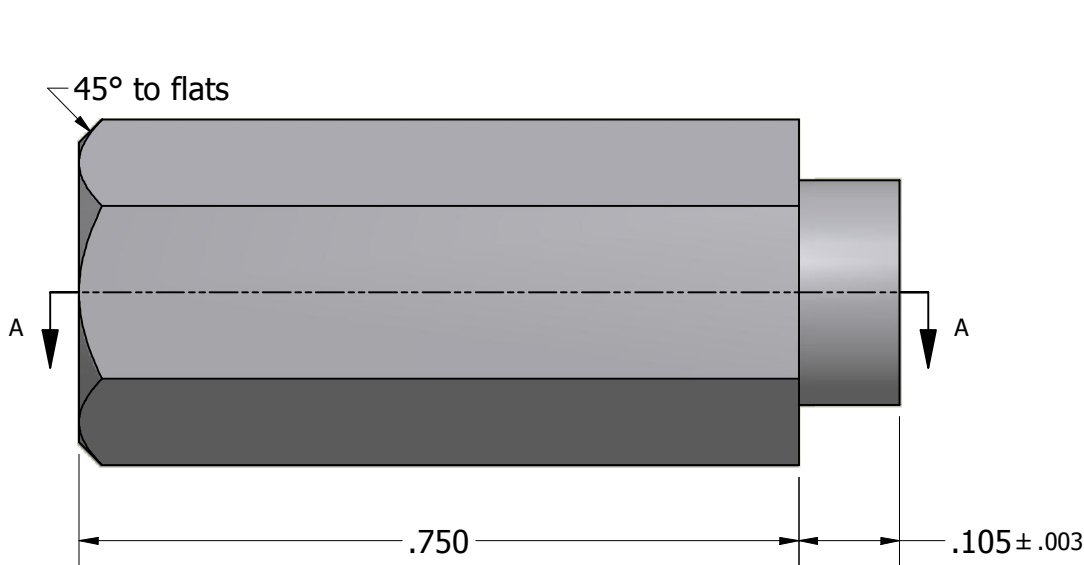


SECTION A-A



ISO SCALE 2 : 1



Tolerances Unless Otherwise Specified:

.xx Decimal:  $\pm .02$   
 .xxx Decimal:  $\pm .005$   
 Fraction:  $\pm 1/64$   
 Angle:  $\pm 2^\circ$

**LYN-TRON, INC.**

Part Number:  
**SS6927B-0.750**

Description:  
**5/16 Hex Swage Standoff**

Drawn By:  
**COURTNEYS09/19/2011**

Gauge:

Material:  
**Stainless Steel**

Scale:  
**5 : 1**