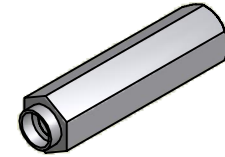
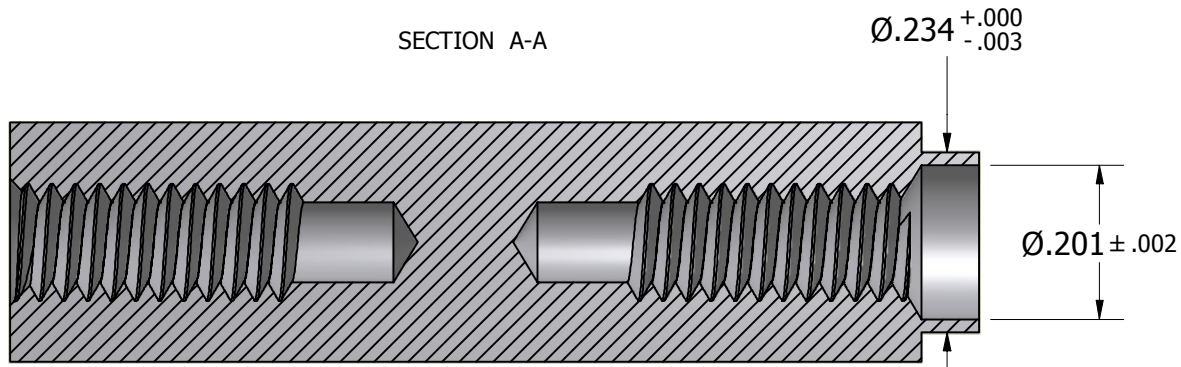
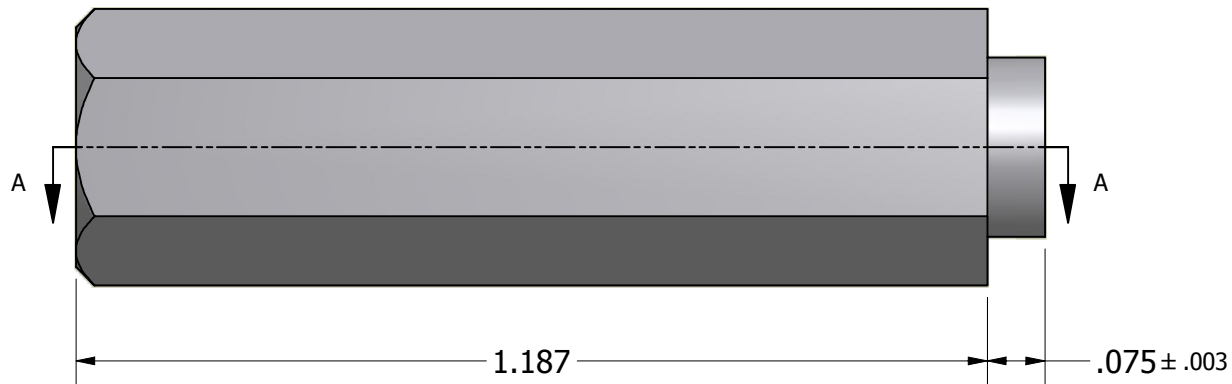


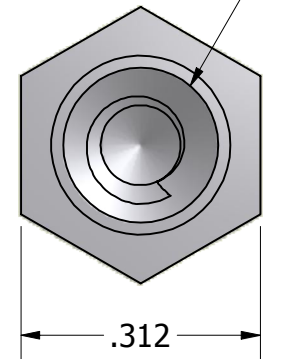
SECTION A-A



ISO SCALE 1 : 1



6-32 UNC-2B
.375 min (2 Pls)



Tolerances Unless Otherwise Specified:

.xx Decimal: ± .02
.xxx Decimal: ± .005
Fraction: ± 1/64
Angle: ± 2°

LYN-TRON, INC.

Part Number:

SS6927A-1.187

Description:

5/16 Hex Swage Standoff

Drawn By:

COURTNEYS09/19/2011

Gauge:

Material:

Stainless Steel

Scale:

4 : 1