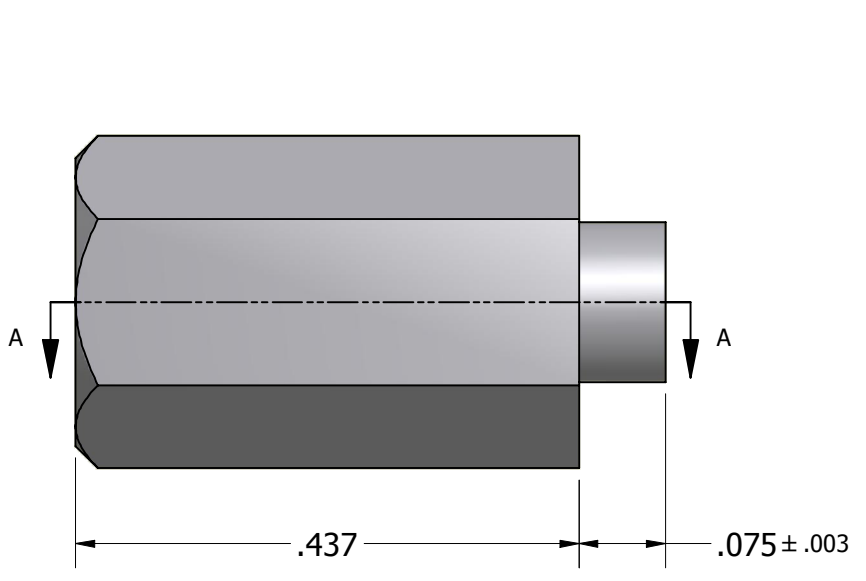
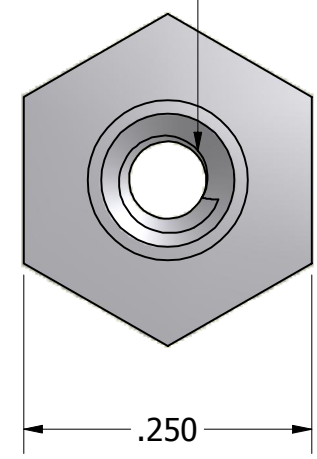


ISO SCALE 3 : 1



2-56 UNC-2B  
.187 min (2 Pls)



Tolerances Unless Otherwise Specified:

- .xx Decimal:  $\pm .02$
- .xxx Decimal:  $\pm .005$
- Fraction:  $\pm 1/64$
- Angle:  $\pm 2^\circ$

**LYN-TRON, INC.**

Part Number:  
**SS6925A-0.437**

Description:  
**1/4 Hex Swage Standoff**

Drawn By:  
**COURTNEYS09/19/2011**

Gauge:

Material:  
**Stainless Steel**

Scale:  
**6 : 1**