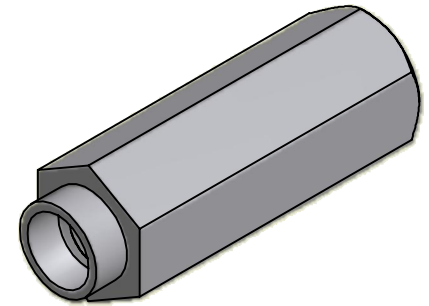
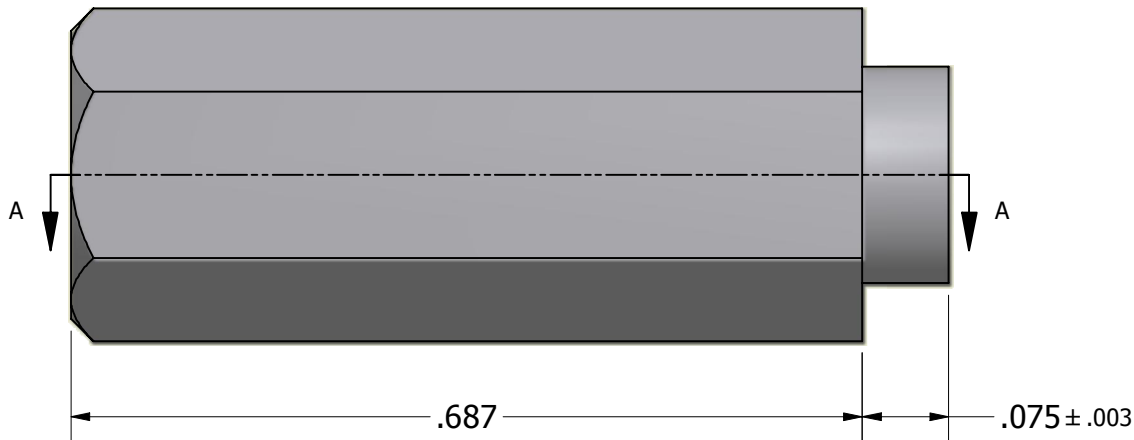


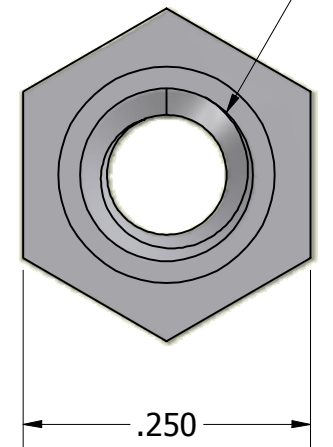
SECTION A-A



ISO SCALE 3 : 1



6-32 UNC-2B Thru



Tolerances Unless Otherwise Specified:

.xx Decimal: ± .02  
 .xxx Decimal: ± .005  
 Fraction: ± 1/64  
 Angle: ± 2°

**LYN-TRON, INC.**

Part Number:  
**SS6920A-0.687**

Description:  
**1/4 Hex Swage Standoff**

Drawn By:  
**JEFFN 06/22/2010**

Gauge:

Material:  
**Stainless Steel**

Scale:  
**6 : 1**