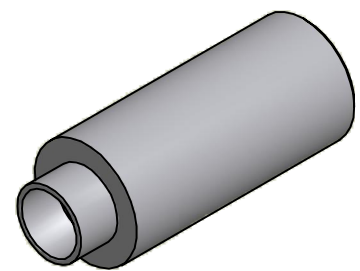
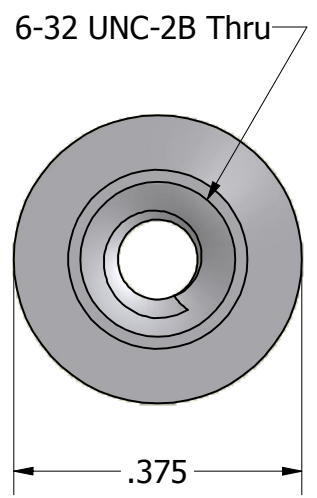
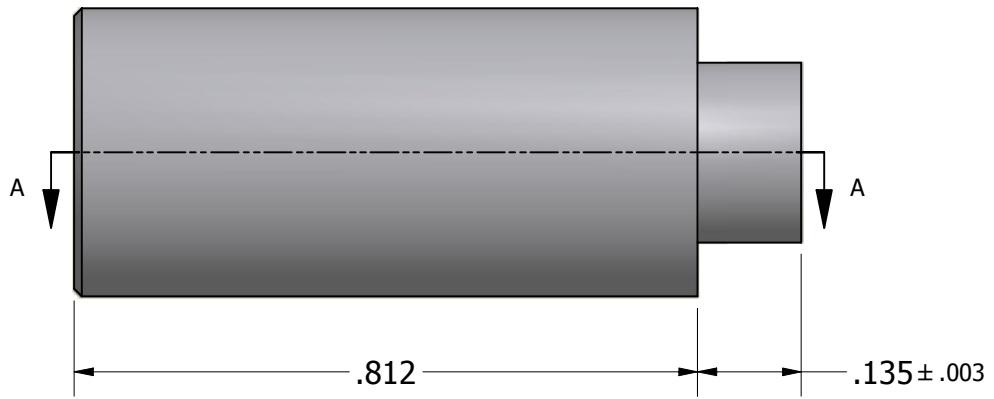


SECTION A-A



ISO SCALE 2 : 1



Tolerances Unless Otherwise Specified:  
 .xx Decimal: ± .02  
 .xxx Decimal: ± .005  
 Fraction: ± 1/64  
 Angle: ± 2°

**LYN-TRON, INC.**

Part Number:  
**SS6912C-0.812**

Description:  
**3/8 Round Swage Standoff**

Drawn By:  
**COURTNEYS06/23/2010**

Gauge:

Material:  
**Stainless Steel**

Scale:  
**4 : 1**