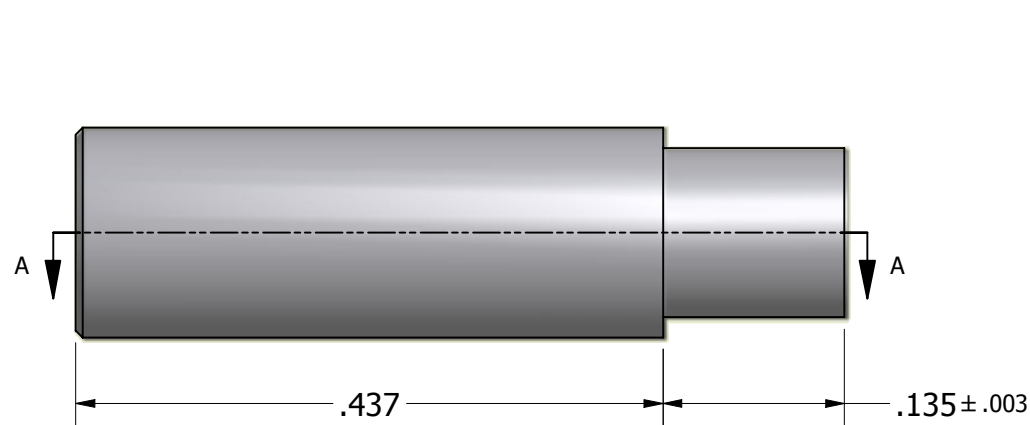
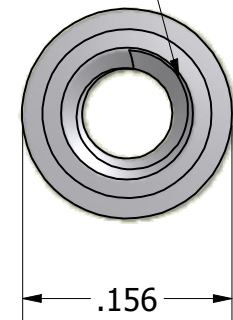


ISO SCALE 3 : 1



2-56 UNC-2B
.187 min (2 Pls)



Tolerances Unless Otherwise Specified:

.xx Decimal: ± .02
.xxx Decimal: ± .005
Fraction: ± 1/64
Angle: ± 2°

LYN-TRON, INC.

Part Number:

SS6909C-0.437

Description:

5/32 Round Swage Standoff

Drawn By:

JEFFN

06/18/2010

Gauge:

Material:

Stainless Steel

Scale:

7 : 1