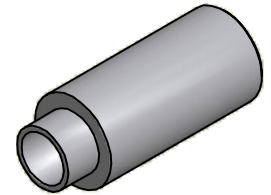
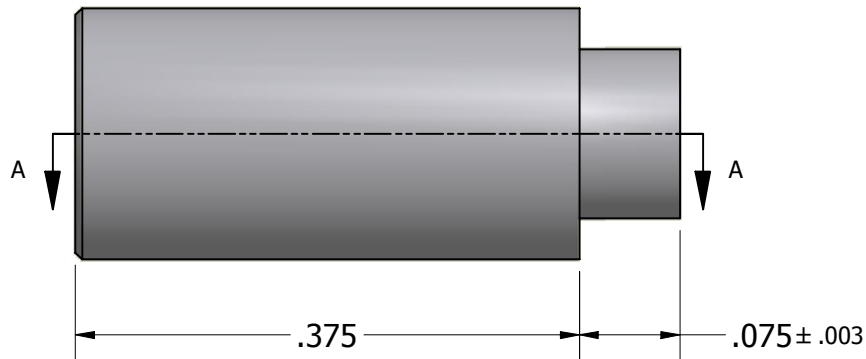


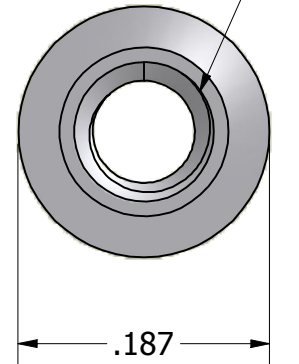
SECTION A-A



ISO SCALE 3 : 1



3-48 UNC-2B Thru



Tolerances Unless Otherwise Specified:

.xx Decimal: ± .02
 .xxx Decimal: ± .005
 Fraction: ± 1/64
 Angle: ± 2°

LYN-TRON, INC.

Part Number:

SS6908A-0.375

Description:

3/16 Round Swage Standoff

Drawn By:

JEFFN

06/17/2010

Gauge:

Material:

Stainless Steel

Scale:

7 : 1