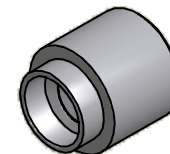
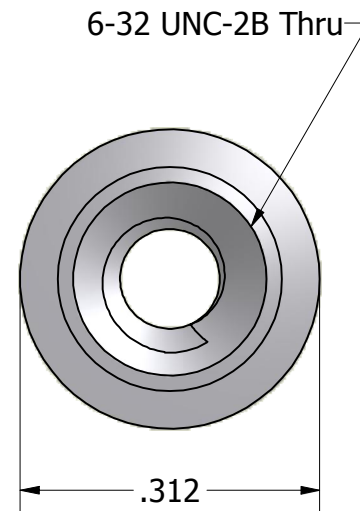
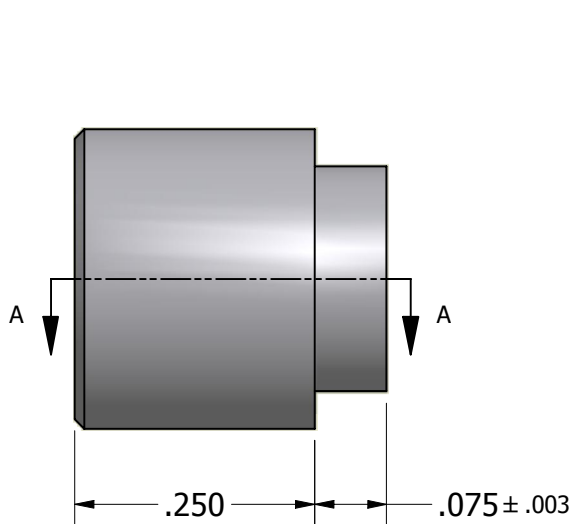


SECTION A-A



ISO SCALE 2 : 1



Tolerances Unless Otherwise Specified:

- .xx Decimal:** $\pm .02$
- .xxx Decimal:** $\pm .005$
- Fraction:** $\pm 1/64$
- Angle:** $\pm 2^\circ$

LYN-TRON, INC.

Part Number:

SS6907A-0.250

Description:

5/16 Round Swage Standoff

Drawn By:

COURTNEYS06/26/2010

Gauge:

Material:

Stainless Steel

Scale:

5 : 1