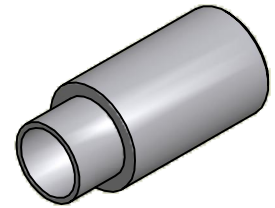
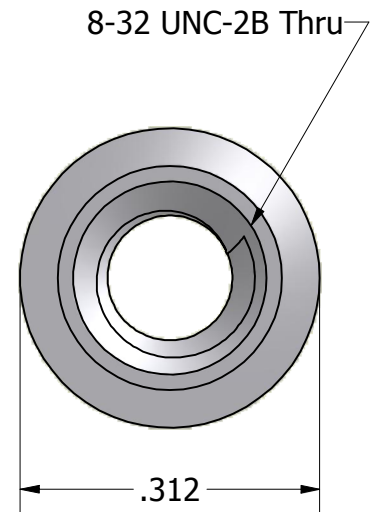
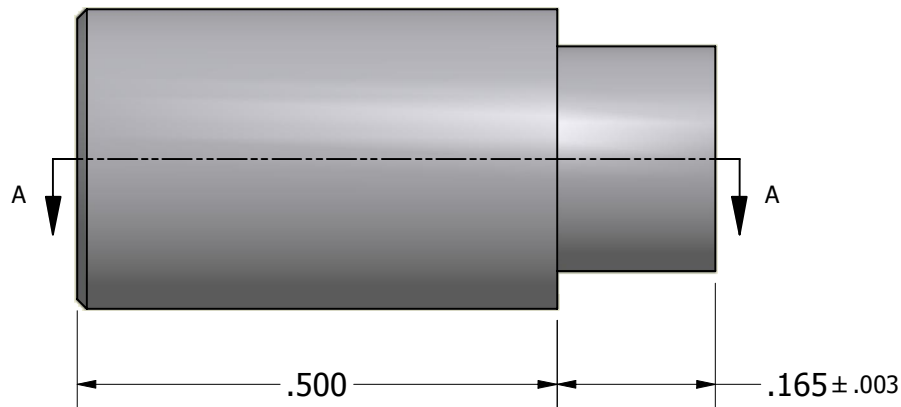


SECTION A-A



ISO SCALE 2 : 1



Tolerances Unless Otherwise Specified:

- .xx Decimal:** ± .02
- .xxx Decimal:** ± .005
- Fraction:** ± 1/64
- Angle:** ± 2°

**LYN-TRON, INC.**

Part Number:

**SS6903D-0.500**

Description:

**5/16 Round Swage Standoff**

Drawn By:

**JEFFN**

**06/23/2010**

Gauge:

Material:

**Stainless Steel**

Scale:

**5 : 1**