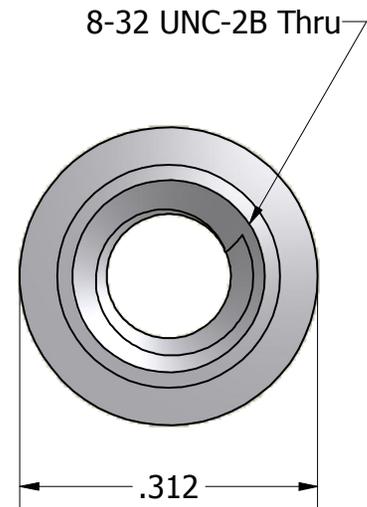
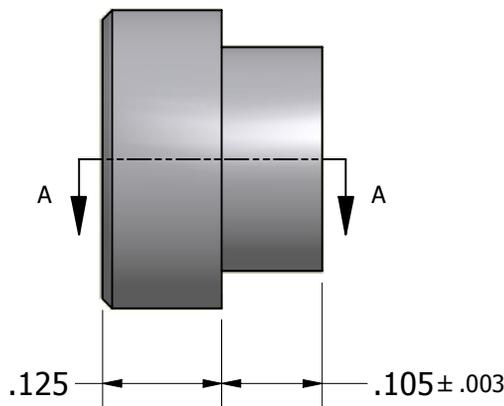


SECTION A-A



ISO SCALE 2 : 1



Tolerances Unless Otherwise Specified:		LYN-TRON, INC.	
.xx Decimal:	± .02		
.xxx Decimal:	± .005	Part Number:	
Fraction:	± 1/64	SS6903B-0.125	
Angle:	± 2°	Description:	
		5/16 Round Swage Standoff	
Drawn By:	Gauge:	Material:	Scale:
JEFFN	06/23/2010	Stainless Steel	5 : 1