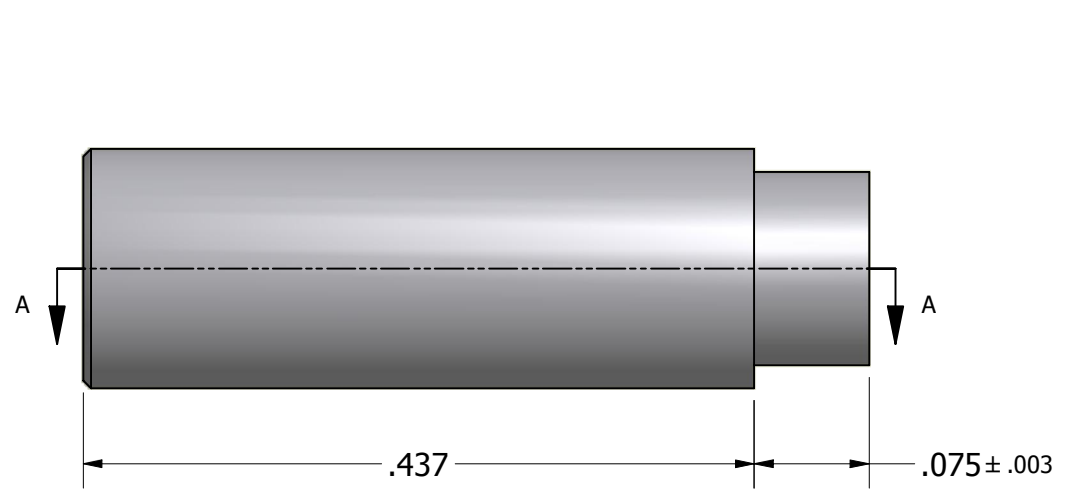
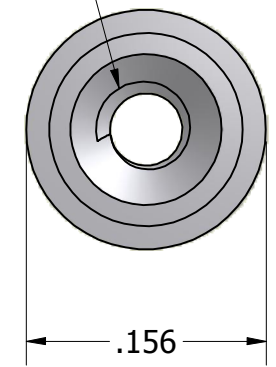


ISO SCALE 4 : 1



0-80 UNF-2B-  
.187 min (2 Pls)



Tolerances Unless Otherwise Specified:

- .xx Decimal:  $\pm .02$
- .xxx Decimal:  $\pm .005$
- Fraction:  $\pm 1/64$
- Angle:  $\pm 2^\circ$

**LYN-TRON, INC.**

Part Number:  
**SS6902A-0.437**

Description:  
**5/32 Round Swage Standoff**

Drawn By:  
**JEFFN 06/18/2010**

Gauge:

Material:  
**Stainless Steel**

Scale:  
**8 : 1**