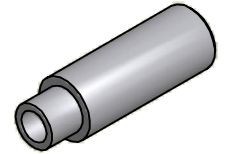
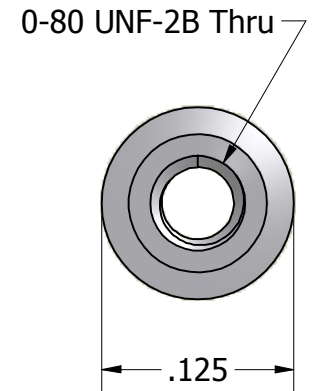
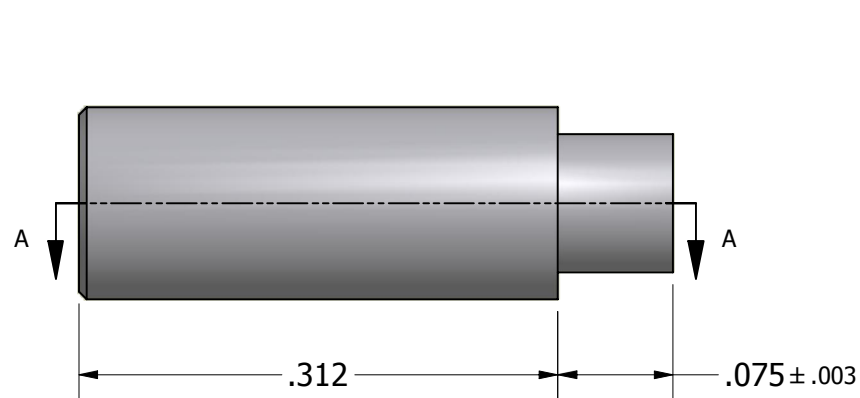


SECTION A-A



ISO SCALE 3 : 1



Tolerances Unless Otherwise Specified:

.xx Decimal: ± .02  
 .xxx Decimal: ± .005  
 Fraction: ± 1/64  
 Angle: ± 2°

**LYN-TRON, INC.**

Part Number:

**SS6901A-0.312**

Description:

**1/8 Round Swage Standoff**

Drawn By:

**COURTNEYS06/17/2010**

Gauge:

Material:

**Stainless Steel**

Scale:

**8 : 1**