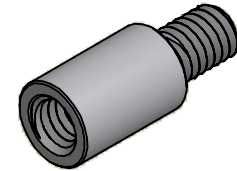
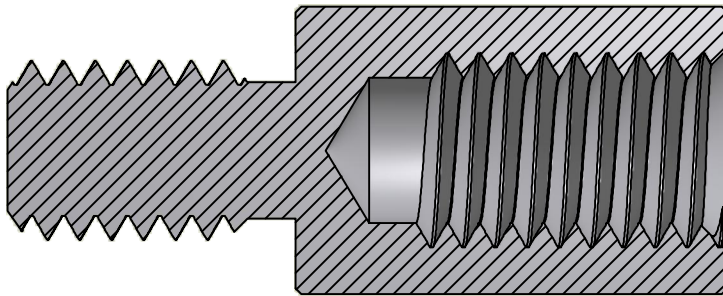
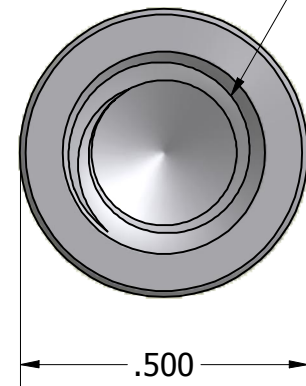
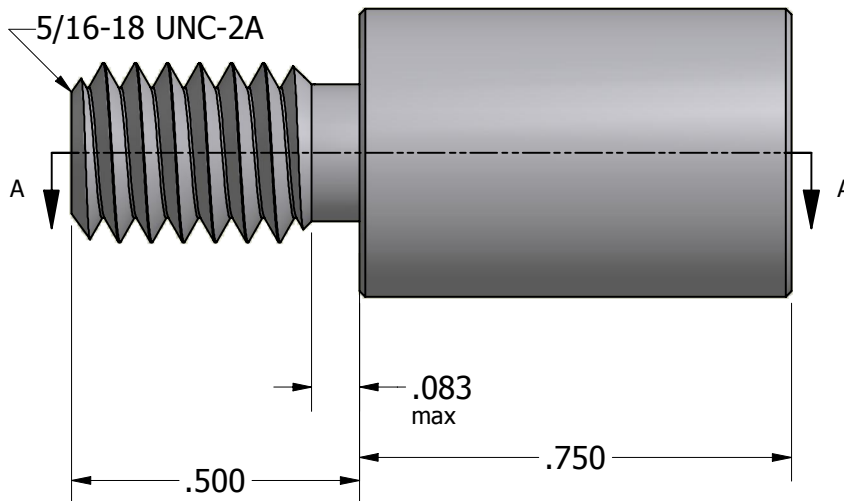


SECTION A-A



ISO SCALE 1 : 1

5/16-18 UNC-2B  
x 0.526 min.



Tolerances Unless Otherwise Specified:

**.xx Decimal:** ± .02  
**.xxx Decimal:** ± .005  
**Fraction:** ± 1/64  
**Angle:** ± 2°

**LYN-TRON, INC.**

Part Number:

**SS6889-0.750**

Description:

**1/2 Round Male-Female Standoff**

Drawn By:

**KENANG 07/08/2011**

Gauge:

Material:

**Stainless Steel**

Scale:

**3 : 1**