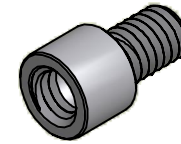
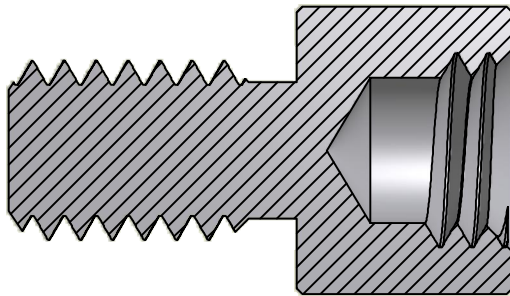
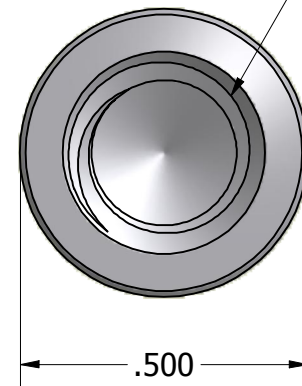
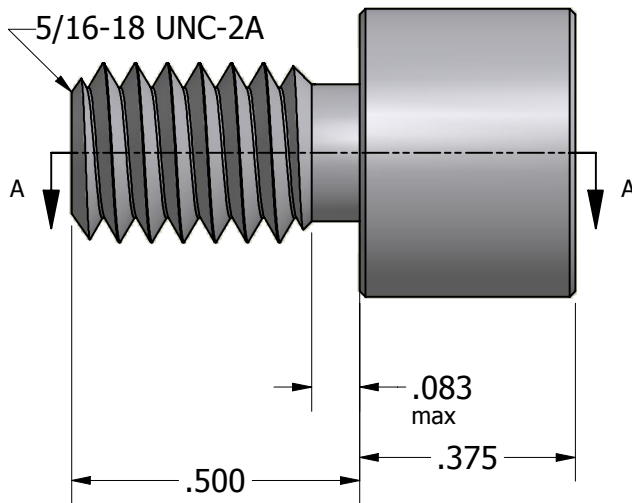


SECTION A-A



ISO SCALE 1 : 1

5/16-18 UNC-2B
x 0.151 min.



Tolerances Unless Otherwise Specified:

.xx Decimal: ± .02
.xxx Decimal: ± .005
Fraction: ± 1/64
Angle: ± 2°

LYN-TRON, INC.

Part Number:

SS6889-0.375

Description:

1/2 Round Male-Female Standoff

Drawn By:

KENANG 07/08/2011

Gauge:

Material:

Stainless Steel

Scale:

3 : 1