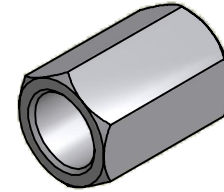
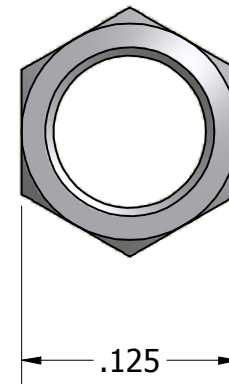
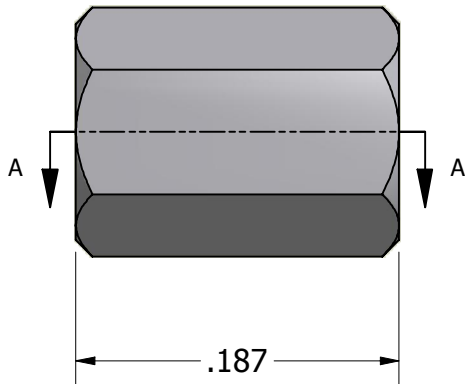


SECTION A-A



ISO SCALE 5 : 1



Tolerances Unless Otherwise Specified:

- .xx Decimal:** $\pm .02$
- .xxx Decimal:** $\pm .005$
- Fraction:** $\pm 1/64$
- Angle:** $\pm 2^\circ$

LYN-TRON, INC.

Part Number:

SS6358-02-0.187

Description:

1/8 Hex Spacer

Drawn By:

COURTNEYS06/20/2010

Gauge:

Material:

Stainless Steel

Scale:

9 : 1