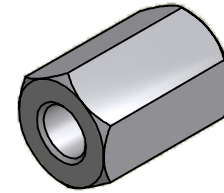
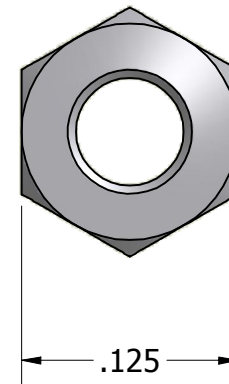
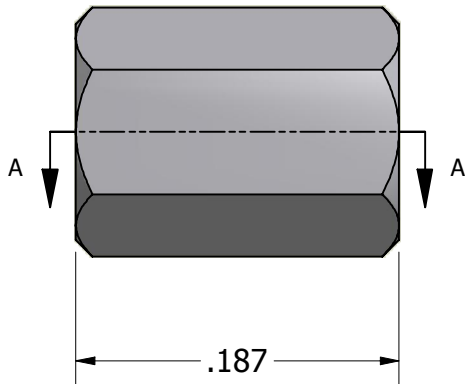


SECTION A-A



ISO SCALE 5 : 1



Tolerances Unless Otherwise Specified:

- .xx Decimal:** ± .02
- .xxx Decimal:** ± .005
- Fraction:** ± 1/64
- Angle:** ± 2°

LYN-TRON, INC.

Part Number:

SS6358-00-0.187

Description:

1/8 Hex Spacer

Drawn By:

COURTNEYS06/20/2010

Gauge:

Material:

Stainless Steel

Scale:

9 : 1