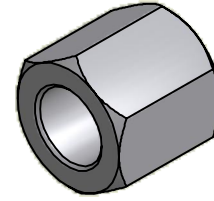
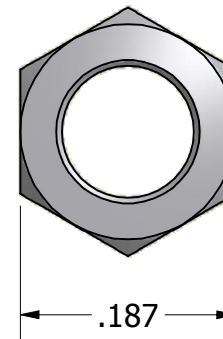
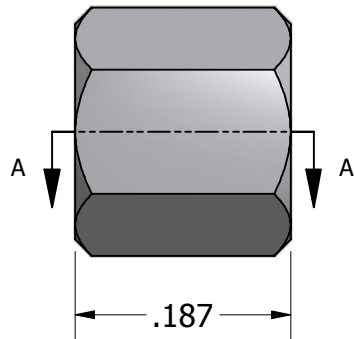


SECTION A-A



ISO SCALE 4 : 1



Tolerances Unless Otherwise Specified:

.xx Decimal: ± .02
.xxx Decimal: ± .005
Fraction: ± 1/64
Angle: ± 2°

LYN-TRON, INC.

Part Number:

SS6350-04-0.187

Description:

3/16 Hex Spacer

Drawn By:

COURTNEYS06/20/2010

Gauge:

Material:

Stainless Steel

Scale:

6 : 1