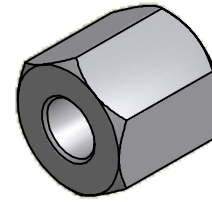
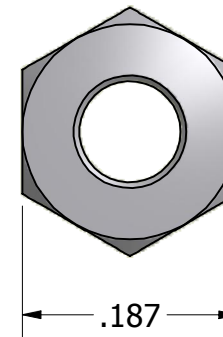
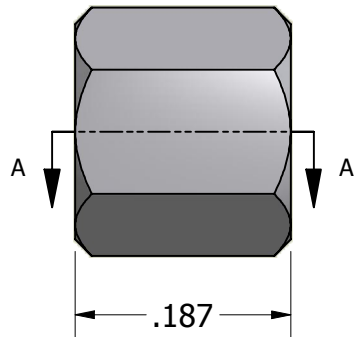


SECTION A-A



ISO SCALE 4 : 1



Tolerances Unless Otherwise Specified:			
<b>.xx Decimal:</b> ± .02			
<b>.xxx Decimal:</b> ± .005			
<b>Fraction:</b> ± 1/64			
<b>Angle:</b> ± 2°			
		<b>LYN-TRON, INC.</b>	
		Part Number: <b>SS6350-02-0.187</b>	
		Description: <b>3/16 Hex Spacer</b>	
Drawn By: <b>COURTNEYS06/20/2010</b>	Gauge:	Material: <b>Stainless Steel</b>	Scale: <b>6 : 1</b>