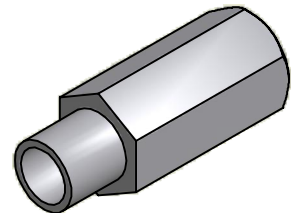
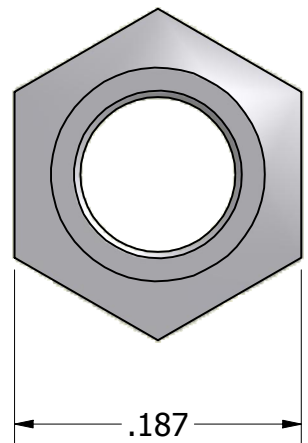
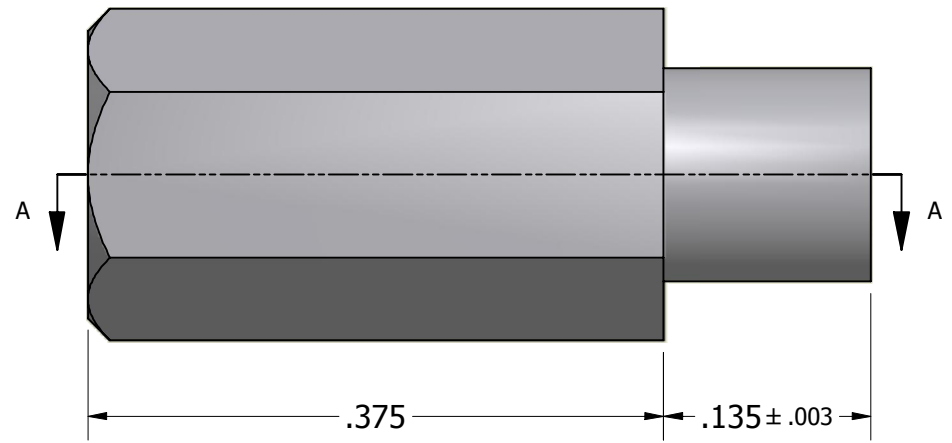


SECTION A-A



ISO SCALE 3 : 1



Tolerances Unless Otherwise Specified:

- .xx Decimal: $\pm .02$
- .xxx Decimal: $\pm .005$
- Fraction: $\pm 1/64$
- Angle: $\pm 2^\circ$

LYN-TRON, INC.

Part Number:
SS6336C-0.375

Description:
3/16 Hex Swage Spacer

Drawn By:
COURTNEYS05/05/2011

Gauge:

Material:
Stainless Steel

Scale:
8 : 1