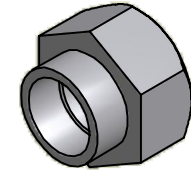
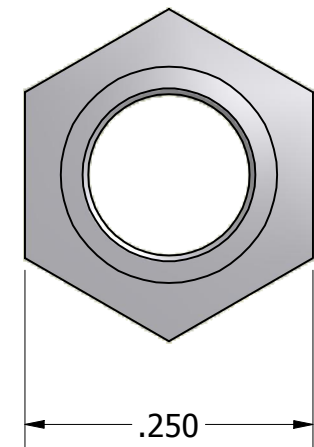
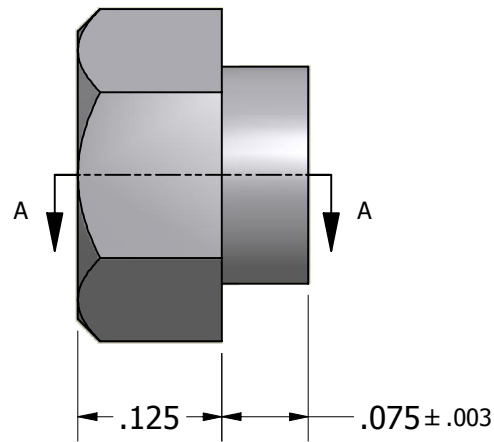


SECTION A-A



ISO SCALE 3 : 1



Tolerances Unless Otherwise Specified:

**.xx Decimal:** ± .02  
**.xxx Decimal:** ± .005  
**Fraction:** ± 1/64  
**Angle:** ± 2°

**LYN-TRON, INC.**

Part Number:

**SS6320A-0.125**

Description:

**1/4 Hex Swage Spacer**

Drawn By:

**COURTNEYS05/04/2011**

Gauge:

Material:

**Stainless Steel**

Scale:

**6 : 1**