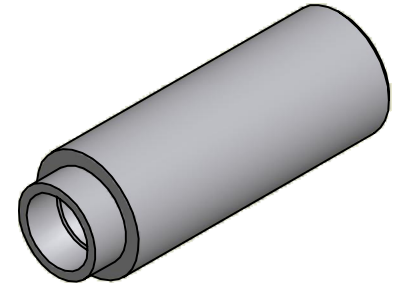
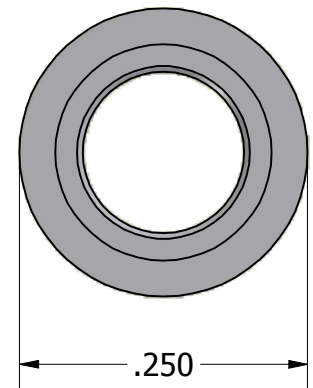
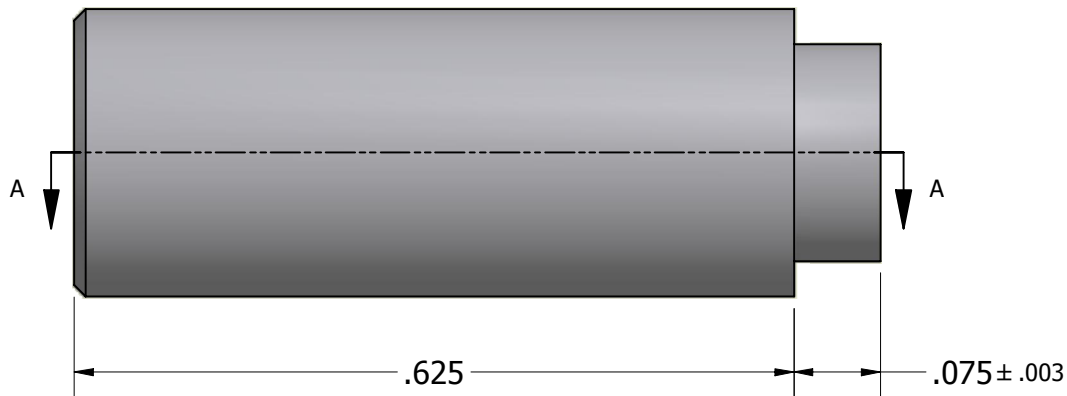


SECTION A-A



ISO SCALE 3 : 1



Tolerances Unless Otherwise Specified:

- .xx Decimal:** $\pm .02$
- .xxx Decimal:** $\pm .005$
- Fraction:** $\pm 1/64$
- Angle:** $\pm 2^\circ$

LYN-TRON, INC.

Part Number:

SS6310A-0.625

Description:

1/4 Round Swage Spacer

Drawn By:

COURTNEYS04/29/2011

Gauge:

Material:

Stainless Steel

Scale:

6 : 1