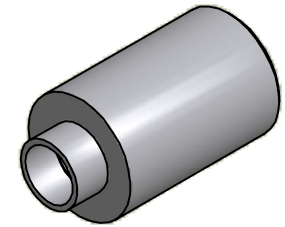
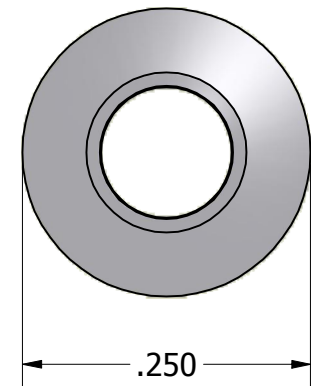
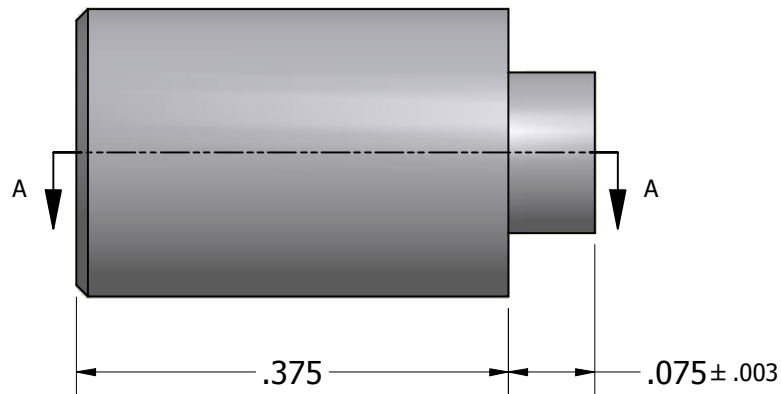


SECTION A-A



ISO SCALE 3 : 1



Tolerances Unless Otherwise Specified:

.xx Decimal: ± .02
 .xxx Decimal: ± .005
 Fraction: ± 1/64
 Angle: ± 2°

LYN-TRON, INC.

Part Number:

SS6305A-0.375

Description:

1/4 Round Swage Spacer

Drawn By:

COURTNEYS04/28/2011

Gauge:

Material:

Stainless Steel

Scale:

6 : 1