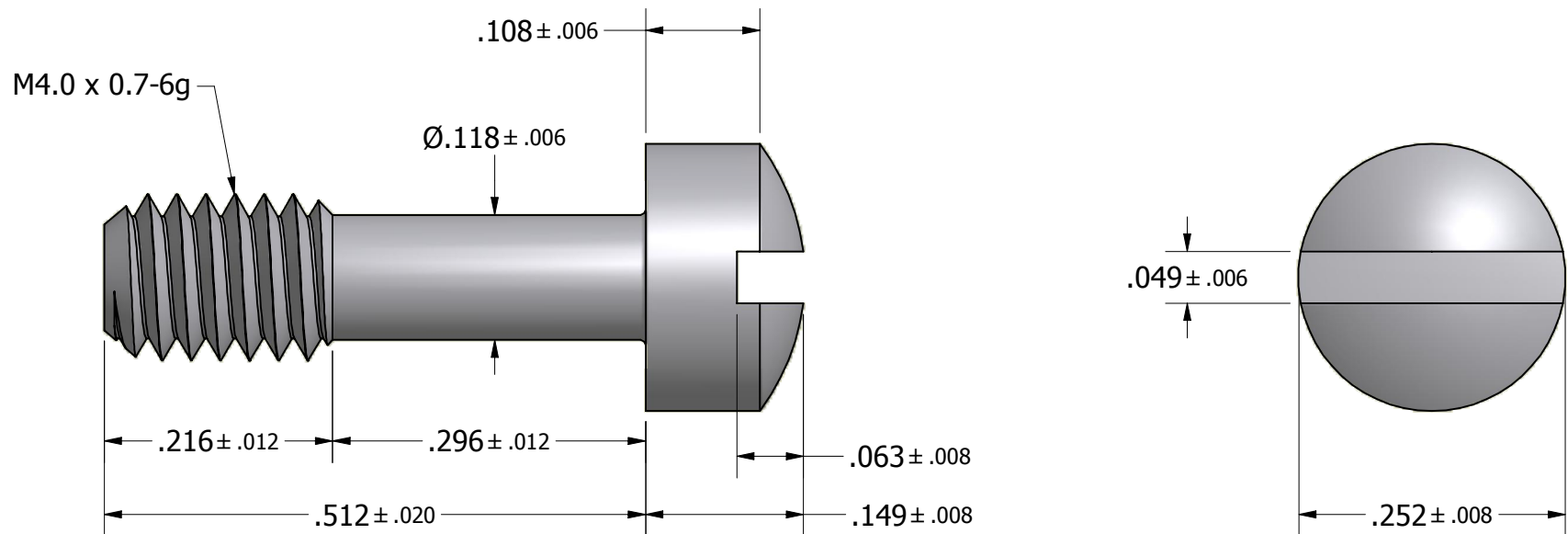


ISO SCALE 2 : 1



Tolerances Unless Otherwise Specified:

.xx Decimal: $\pm .02$
 .xxx Decimal: $\pm .005$
 Fraction: $\pm 1/64$
 Angle: $\pm 2^\circ$

LYN-TRON, INC.

Part Number:

SS5811

Description:

6.4mm Rnd Metric Captive Panel Screw -- Type 4

Drawn By:

kenang 2/1/2011

Gauge:

STD

Material:

Stainless Steel

Scale:

6:1