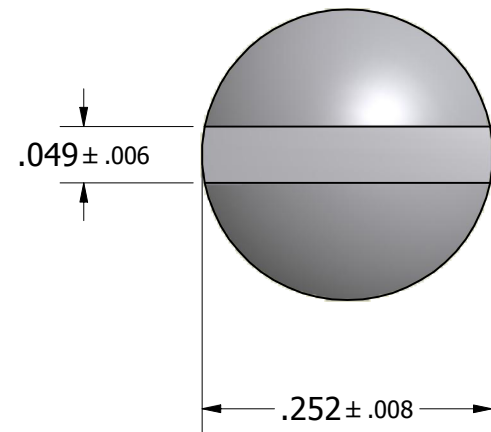
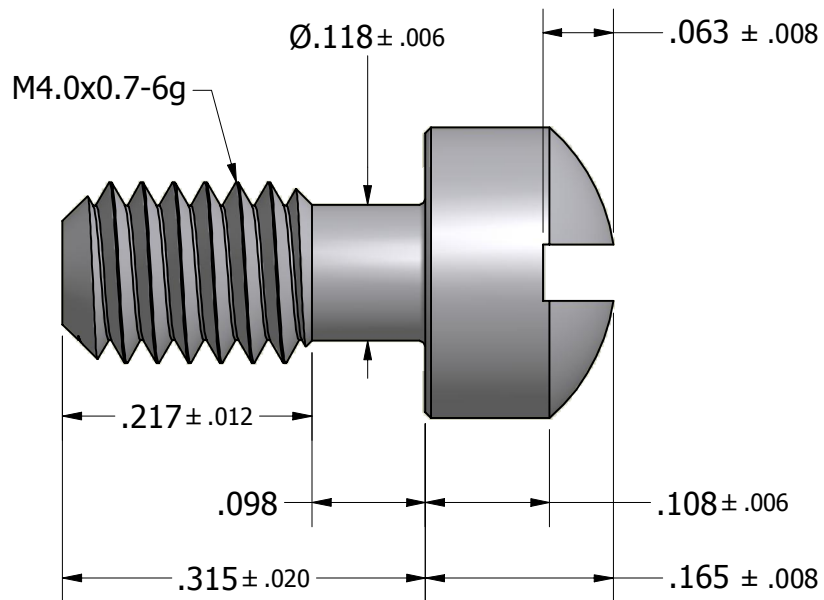


ISO SCALE 3 : 1



Tolerances Unless Otherwise Specified:

.xx Decimal: $\pm .02$
.xxx Decimal: $\pm .005$
Fraction: $\pm 1/64$
Angle: $\pm 2^\circ$

LYN-TRON, INC.

Part Number:

SS5808

Description:

6.4mm Metric Captive Panel Screw (Type 4)

Drawn By:

CourtneyS 7/21/2011

Gauge:

STD

Material:

Stainless Steel

Scale:

6:1