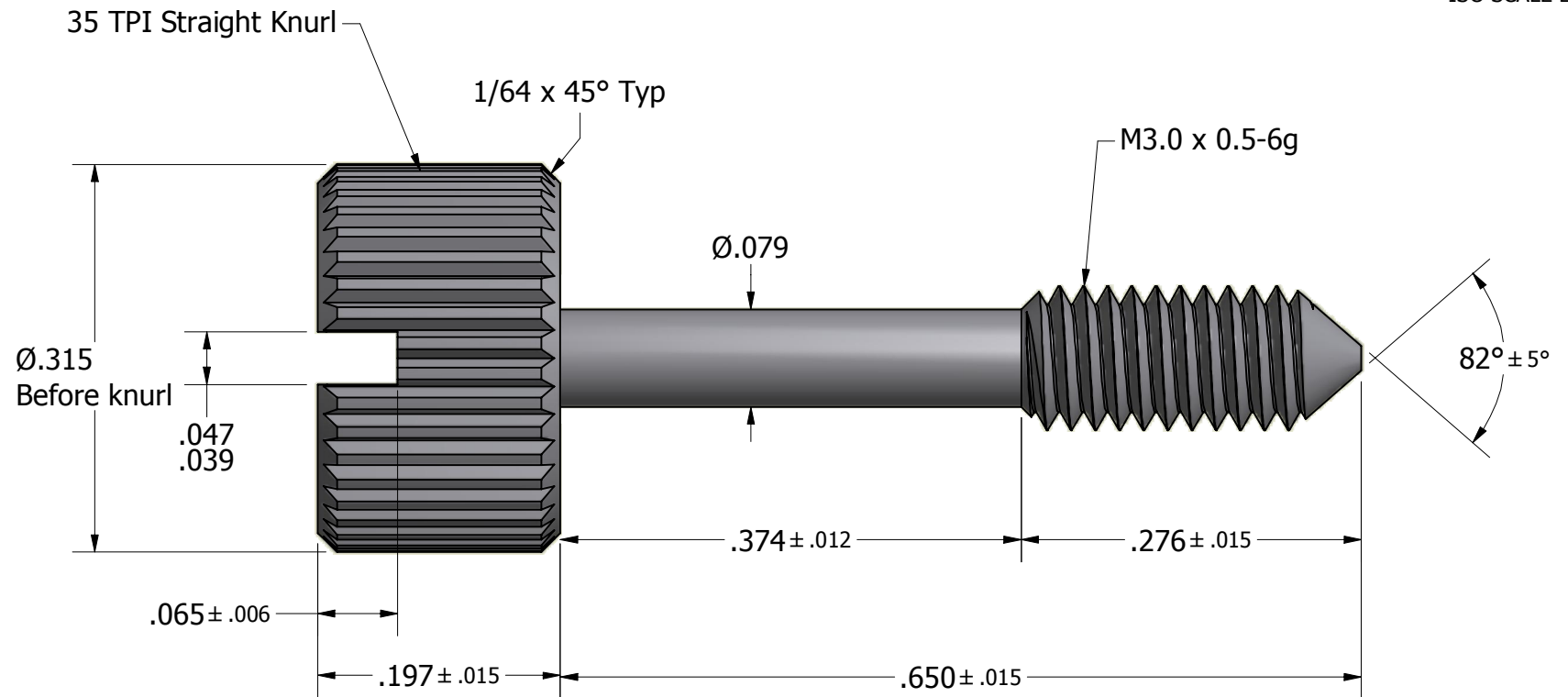


ISO SCALE 2 : 1



Tolerances Unless Otherwise Specified:

.xx Decimal: ± .02
.xxx Decimal: ± .005
Fraction: ± 1/64
Angle: ± 2°

LYN-TRON, INC.

Part Number:

SS5600

Description:

8mm Rnd Captive Panel Screw -- Type 1

Drawn By:

kenang 11/16/2010

Gauge:

STD

Material:

Stainless Steel 303

Scale:

7:1