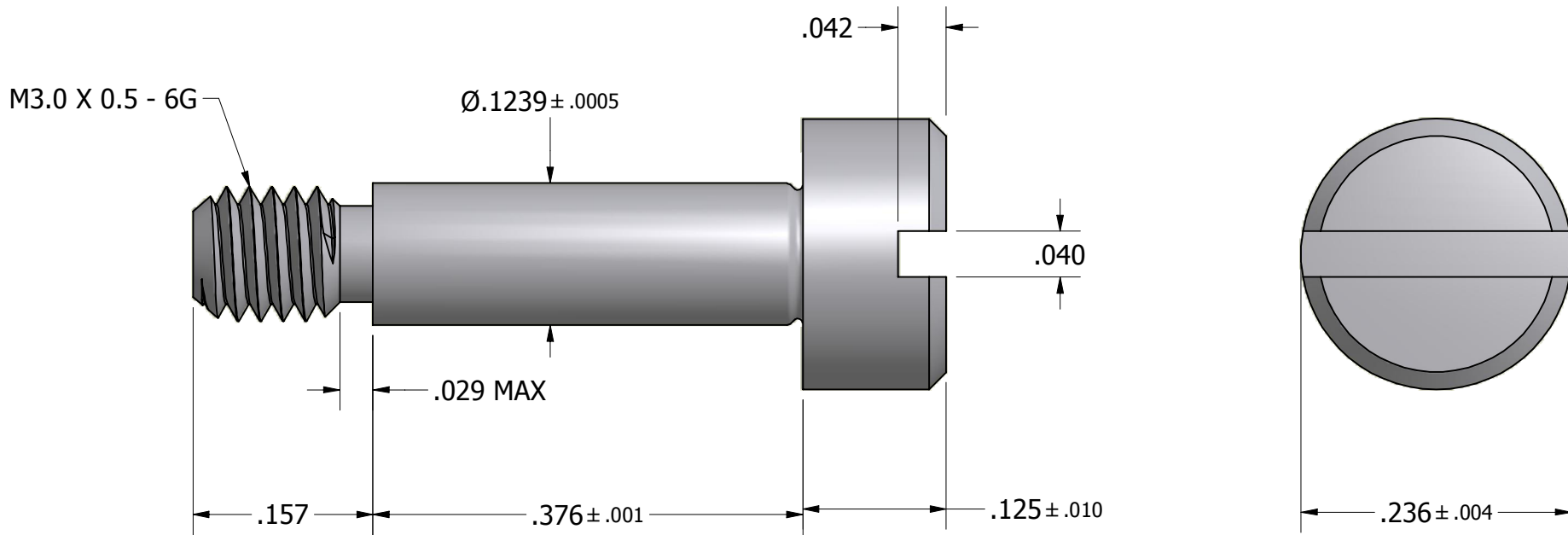


SCALE 3 : 1



Tolerances Unless Otherwise Specified:

.xx Decimal: $\pm .02$
.xxx Decimal: $\pm .005$
Fraction: $\pm 1/64$
Angle: $\pm 2^\circ$

LYN-TRON, INC.

Part Number:

SS5304

Description:

6mm Precision Shoulder Screw - Slotted Head

Drawn By:

Rick Z

8/18/2011

Gauge:

STD

Material:

Stainless Steel

Scale:

7:1