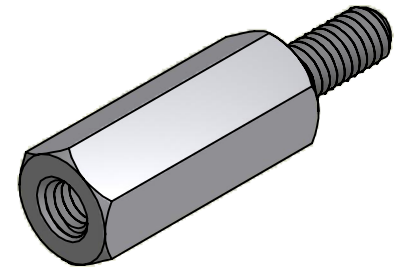
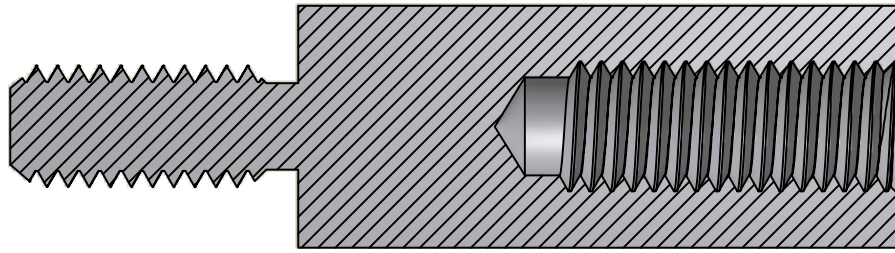
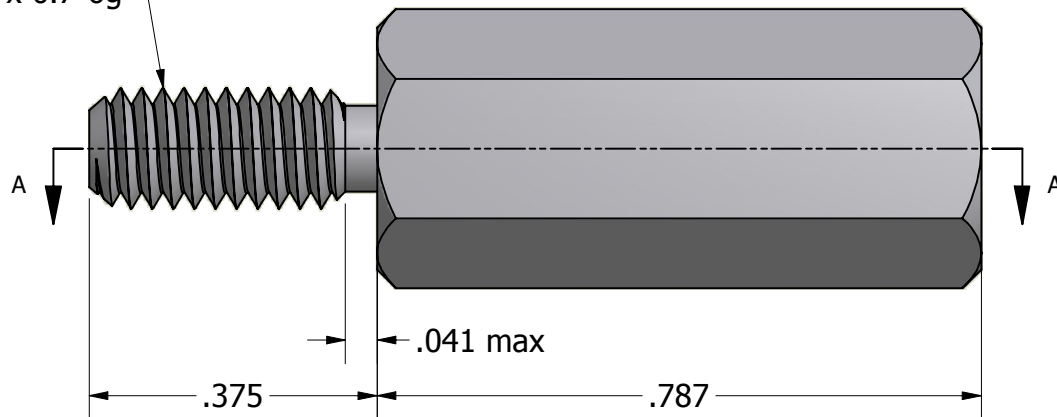


SECTION A-A

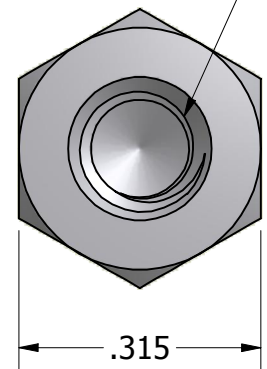


ISO SCALE 2 : 1

M4.0 x 0.7-6g



M4.0 x 0.7-6H
x .437 min



Tolerances Unless Otherwise Specified:

.xx Decimal: ± .02
.xxx Decimal: ± .005
Fraction: ± 1/64
Angle: ± 2°

LYN-TRON, INC.

Part Number:

SS5176-20.0

Description:

8mm Hex Male-Female Standoff

Drawn By:

kenang 12/20/2010

Gauge:

STD

Material:

Stainless Steel

Scale:

4:1