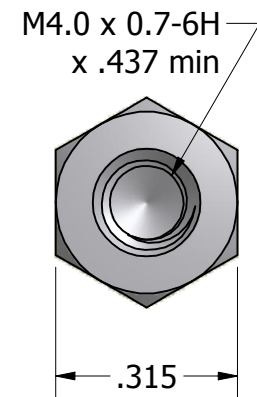
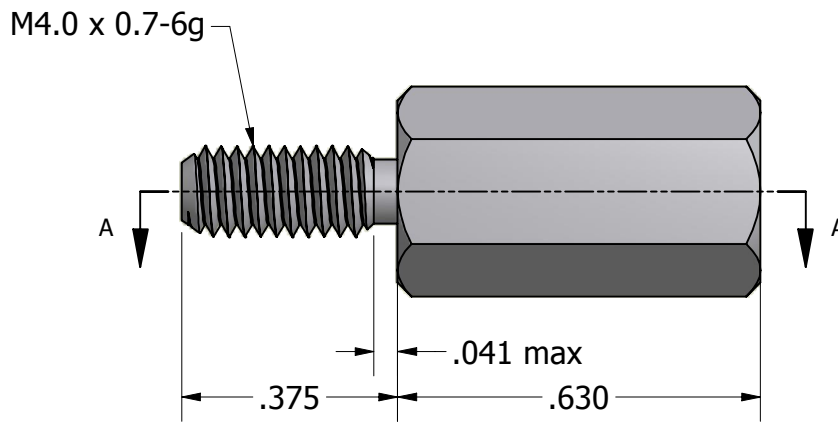


ISO SCALE 2 : 1



Tolerances Unless Otherwise Specified:

.xx Decimal: ± .02
.xxx Decimal: ± .005
Fraction: ± 1/64
Angle: ± 2°

LYN-TRON, INC.

Part Number:

SS5176-16.0

Description:

8mm Hex Male-Female Standoff

Drawn By:

KenanG 3/11/2011

Gauge:

STD

Material:

Stainless Steel

Scale:

3:1