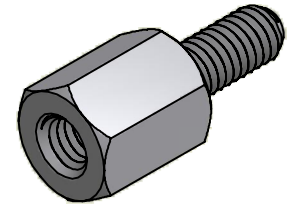
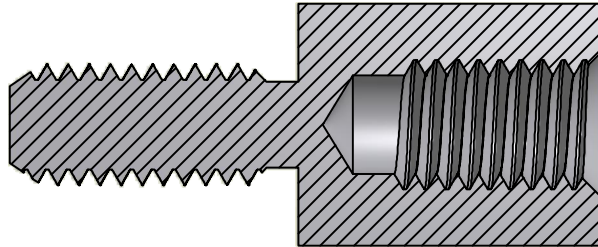
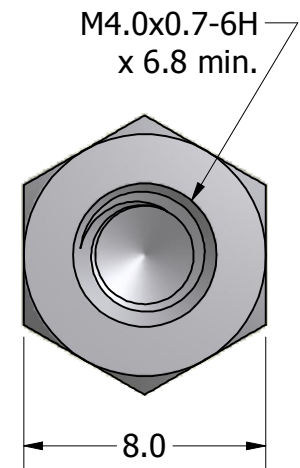
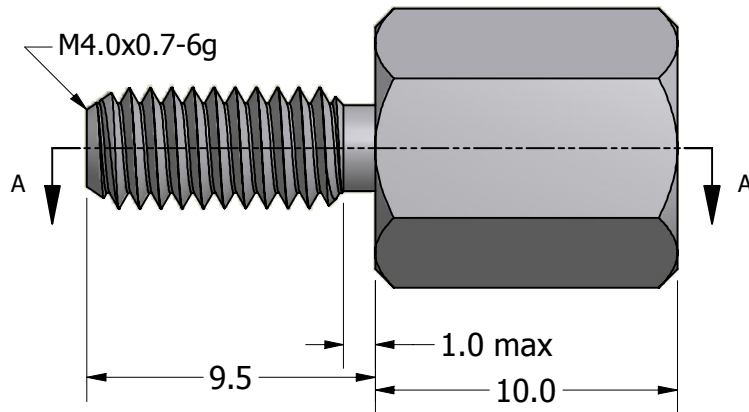


SECTION A-A



ISO SCALE 2 : 1



Tolerances Unless Otherwise Specified:

.x Decimal: ± 0.3
 .xx Decimal: $\pm .13$
 Fraction: $\pm 1/64$
 Angle: $\pm 2^\circ$

LYN-TRON, INC.

Part Number:

SS5176-10.0

Description:

8mm Hex M4x.7 M/F Standoff

Drawn By:

RICKZ

11/08/2011

Gauge:

Material:

Stainless Steel

Scale:

4 : 1